

How To.

INSTALLATION GUIDE





BEFORE YOU START

Prior to installation, choose a suitable location on flat ground for your Stratco Corrugated Garden Bed. Measure the area to ensure there is enough space. A minimum area of 1000mm x 700mm is required.

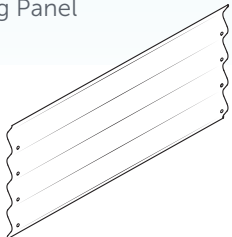
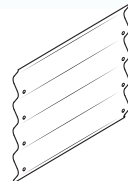
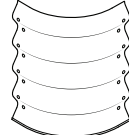
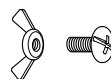
To ensure the installation of your Stratco CGI Garden Bed proceeds smoothly you should confirm that all components listed in this installation guide have been supplied. Carefully read this installation guide to familiarise yourself with the steps involved, and ensure that you have the correct tools and equipment for the job.

NOTE: Use heavy gloves when handling steel sheeting and do not attempt installation in windy conditions.

TOOLS REQUIRED

Phillips Head Screwdriver 	Pliers 	Safety Gloves 	Safety Glasses 
--	---	--	---

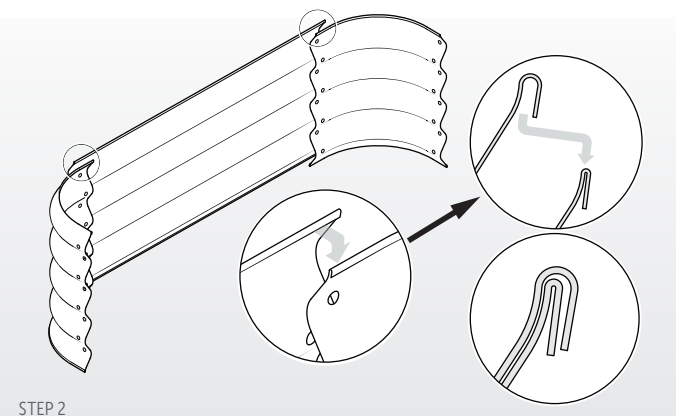
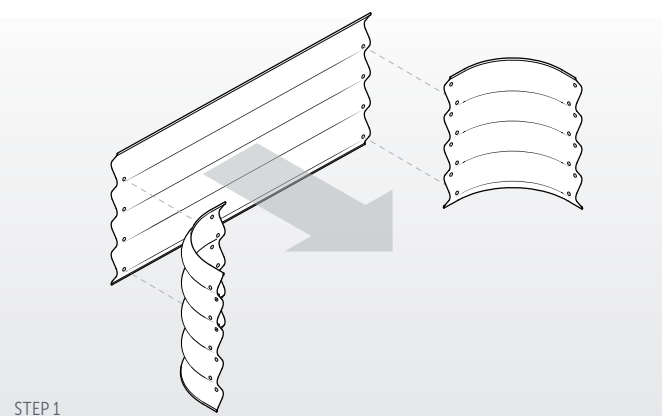
COMPONENTS

Long Panel x 4 	Short Panel x 4 	Corner Angle x 8 	Wingnuts and Screws x 56 
---	---	--	--

ASSEMBLY

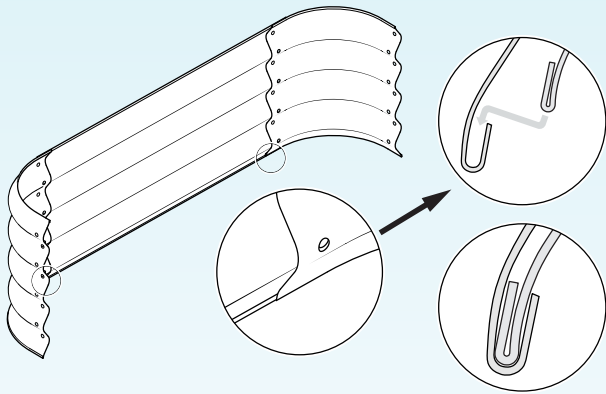
Note: The corner piece may need to be flipped vertically to fit into the corrugations of the side panel. Ensure lip on both panel and corner faces toward inside of garden bed.

Hook the lip of the sheet over the top of the corner as shown in Step 2. Clamp the bottom of the corner in the other lip of the sheet as shown in Step 3.



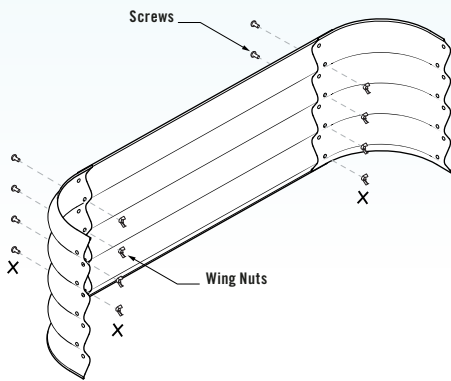
STRATCO CORRUGATED GARDEN BED KIT

INSTALLATION GUIDE



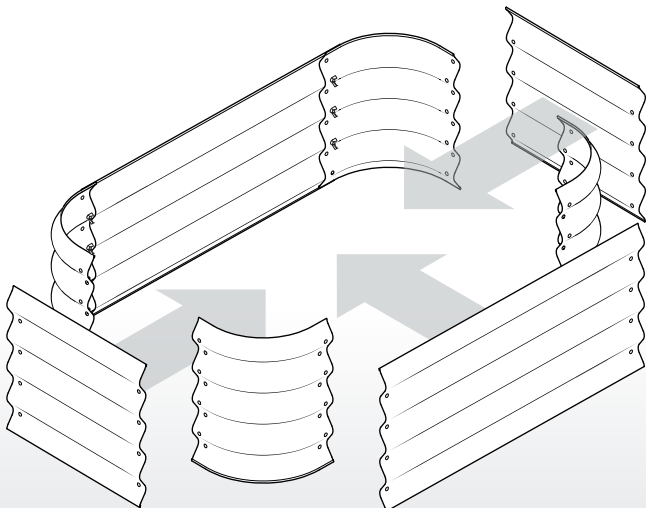
STEP 3

Note: Ensure Wingnuts are located on inside. Leave the bottom screw hole on each corner empty. This will be used to join the two beds together in Step 7.



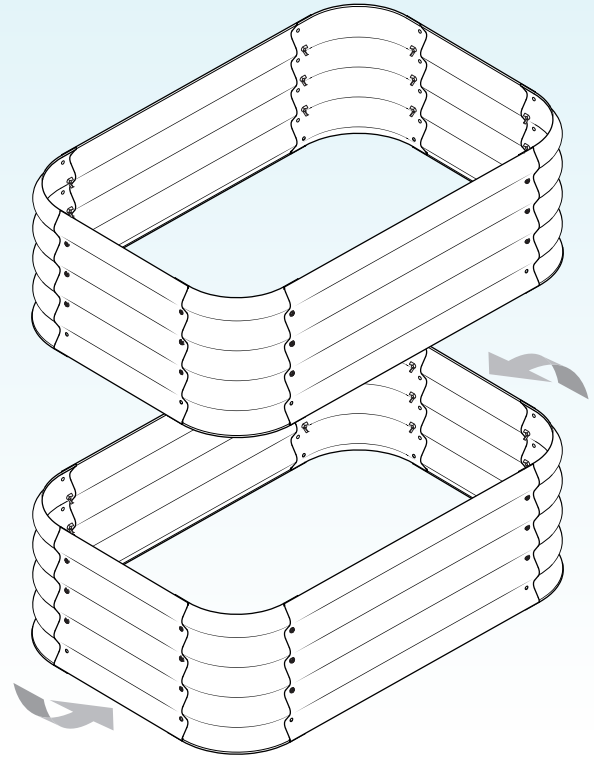
STEP 4

Repeat steps 1-4 for all four sides of the garden bed.



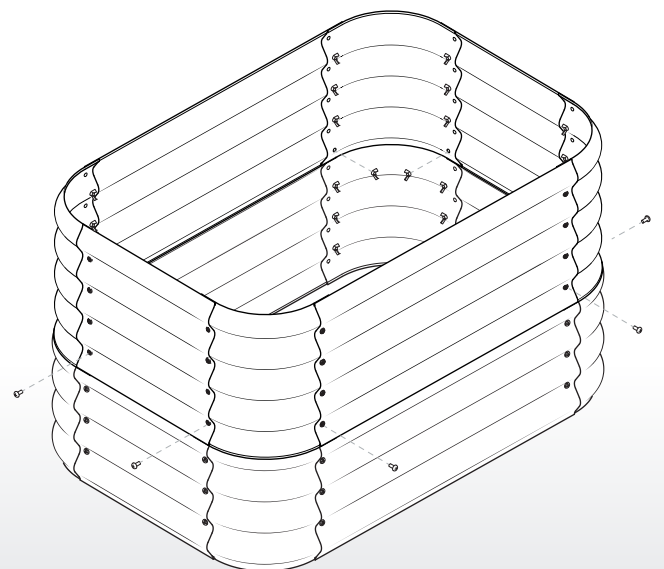
STEP 5

Complete two single beds, turn the bottom bed over and lower the top bed in position so that it overlaps the bottom bed.



STEP 6

Fix the four sides with screws and wingnuts.



STEP 7



« SCAN THIS QR CODE TO FIND A STRATCO NEAR YOU

1300 155 155
stratco.com.au

All brands and logos/images accompanied by © or ™ are trade marks of Stratco (Australia) Pty Limited. © Copyright May 2019

How To.

