



# POOL FENCING CATALOGUE

flat polished  
edges

5mm radius  
corners

## 12mm Fully Frameless Glass

### NO HOLE 12mm Toughened Panels - 1200mm HIGH

Stratco Order Code	G.O. Order Code	Width	Sqm	Corner Radius	Glass Weight KGS
<b>LG-15694</b>	12N-0500	500mm	0.60	5mm	18kgs
<b>LG-14515</b>	12N-0600	600mm	0.72	5mm	22kg
<b>LG-14516</b>	12N-0700	700mm	0.84	5mm	25kg
<b>LG-14517</b>	12N-0800	800mm	0.96	5mm	29kg
<b>LG-14518</b>	12N-0900	900mm	1.08	5mm	32kg
<b>LG-14499</b>	12N-1000	1000mm	1.20	5mm	36kg
<b>LG-17242</b>	12N-1050	1050mm	1.26	5mm	38kg
<b>LG-14500</b>	12N-1100	1100mm	1.32	5mm	40kg
<b>LG-14501</b>	12N-1150	1150mm	1.38	5mm	42kg
<b>LG-14502</b>	12N-1200	1200mm	1.44	5mm	43kg
<b>LG-14519</b>	12N-1250	1250mm	1.50	5mm	45kg
<b>LG-14503</b>	12N-1300	1300mm	1.56	5mm	47kg
<b>LG-14504</b>	12N-1350	1350mm	1.62	5mm	49kg
<b>LG-14505</b>	12N-1400	1400mm	1.68	5mm	50kg
<b>LG-14506</b>	12N-1450	1450mm	1.74	5mm	53kg
<b>LG-14507</b>	12N-1500	1500mm	1.80	5mm	54kg
<b>LG-14508</b>	12N-1550	1550mm	1.86	5mm	56kg
<b>LG-14509</b>	12N-1600	1600mm	1.92	5mm	58kg
<b>LG-14510</b>	12N-1650	1650mm	1.98	5mm	60kg
<b>LG-14511</b>	12N-1700	1700mm	2.04	5mm	61kg
<b>LG-15693</b>	12N-1750	1750mm	2.10	5mm	63kg
<b>LG-14512</b>	12N-1800	1800mm	2.16	5mm	65kg
<b>LG-14513</b>	12N-1900	1900mm	2.28	5mm	68kg
<b>LG-14514</b>	12N-2000	2000mm	2.40	5mm	72kg

### Gate & Hinge Panels For FRICTION Spigots

Description	Stratco Order Code	G.O. Order Code	Width	Sqm	Corner Radius	Glass Weight KGS
834mm Side Pull Gate	<b>LG-14493</b>	<b>08SLG-0834</b>	834mm	1.00	2mm	20kg
890mm Side Pull Gate	<b>LG-17244</b>	<b>08SLG-0890</b>	890mm	1.07	2mm	21kg
4 Hole Hinge Panel	<b>LG-14520</b>	<b>12NH-1000</b>	1000mm	1.20	5mm	36kg
4 Hole Hinge Panel	<b>LG-14521</b>	<b>12NH-1200</b>	1200mm	1.44	5mm	43kg
4 Hole Hinge Panel	<b>LG-15692</b>	<b>12NH-1400</b>	1400mm	1.68	5mm	51kg
4 Hole Hinge Panel	<b>LG-17243</b>	<b>12NH-1500</b>	1500mm	1.80	5mm	54kg
4 Hole Hinge Panel	<b>LG-14522</b>	<b>12NH-1600</b>	1600mm	1.92	5mm	58kg
4 Hole Hinge Panel	<b>LG-14523</b>	<b>12NH-1800</b>	1800mm	2.16	5mm	65kg

# 12mm Fully Frameless Glass

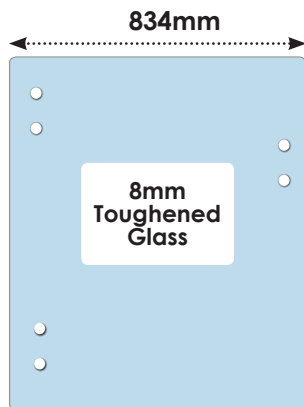
## NO HOLE 12mm Panels - Suggested Spigot Positions

Height	Total Panel Width	Glass Edge To Centre Of Spigot	Centre To Centre Of Spigot	Glass Edge To Centre Of Spigot
1200mm	<b>500mm</b>	100mm	300mm	100mm
1200mm	<b>600mm</b>	100mm	400mm	100mm
1200mm	<b>700mm</b>	100mm	500mm	100mm
1200mm	<b>800mm</b>	150mm	500mm	150mm
1200mm	<b>900mm</b>	150mm	600mm	150mm
1200mm	<b>1000mm</b>	150mm	700mm	150mm
1200mm	<b>1050mm</b>	150mm	750mm	150mm
1200mm	<b>1100mm</b>	200mm	700mm	200mm
1200mm	<b>1150mm</b>	200mm	750mm	200mm
1200mm	<b>1200mm</b>	200mm	800mm	200mm
1200mm	<b>1250mm</b>	200mm	850mm	200mm
1200mm	<b>1300mm</b>	200mm	900mm	200mm
1200mm	<b>1350mm</b>	200mm	950mm	200mm
1200mm	<b>1400mm</b>	250mm	900mm	250mm
1200mm	<b>1450mm</b>	250mm	950mm	250mm
1200mm	<b>1500mm</b>	250mm	1000mm	250mm
1200mm	<b>1550mm</b>	250mm	1050mm	250mm
1200mm	<b>1600mm</b>	250mm	1100mm	250mm
1200mm	<b>1650mm</b>	250mm	1150mm	250mm
1200mm	<b>1700mm</b>	250mm	1200mm	250mm
1200mm	<b>1750mm</b>	250mm	1250mm	250mm
1200mm	<b>1800mm</b>	250mm	1300mm	250mm
1200mm	<b>1900mm</b>	250mm	1400mm	250mm
1200mm	<b>2000mm</b>	300mm	1400mm	300mm

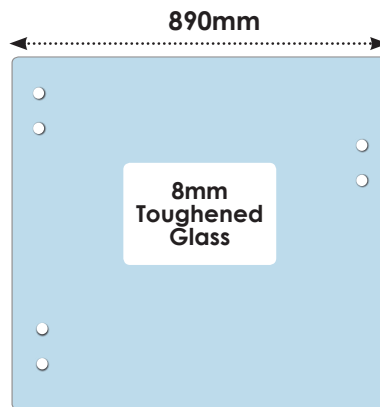


# 12mm Fully Frameless Glass

## Glass Gate Drawings

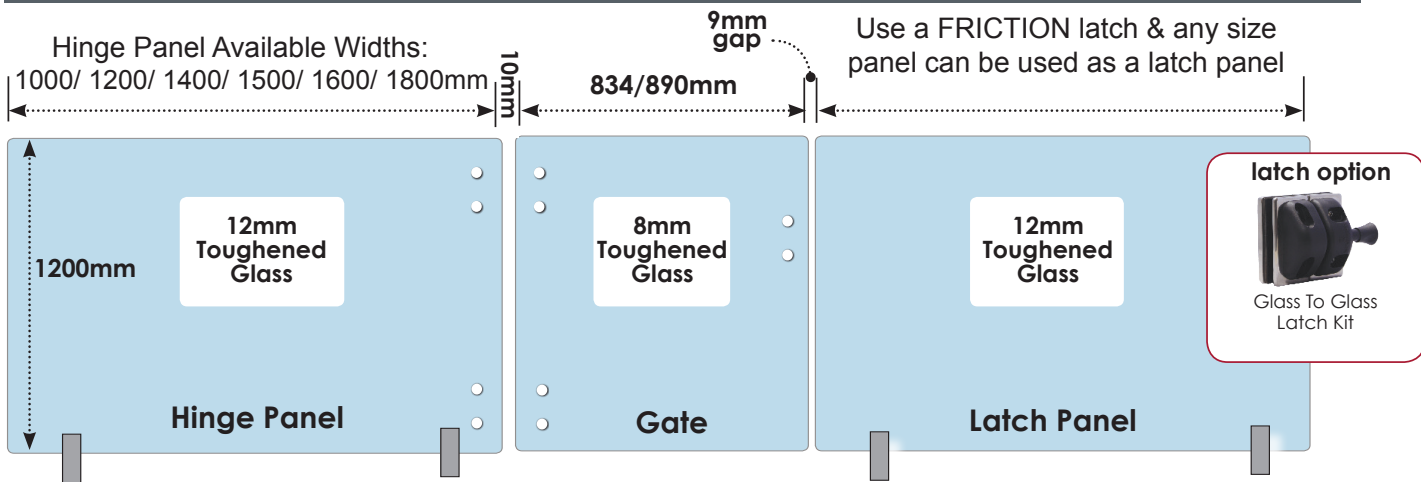


834mm Side Pull Gate  
Order Code: LG-14493

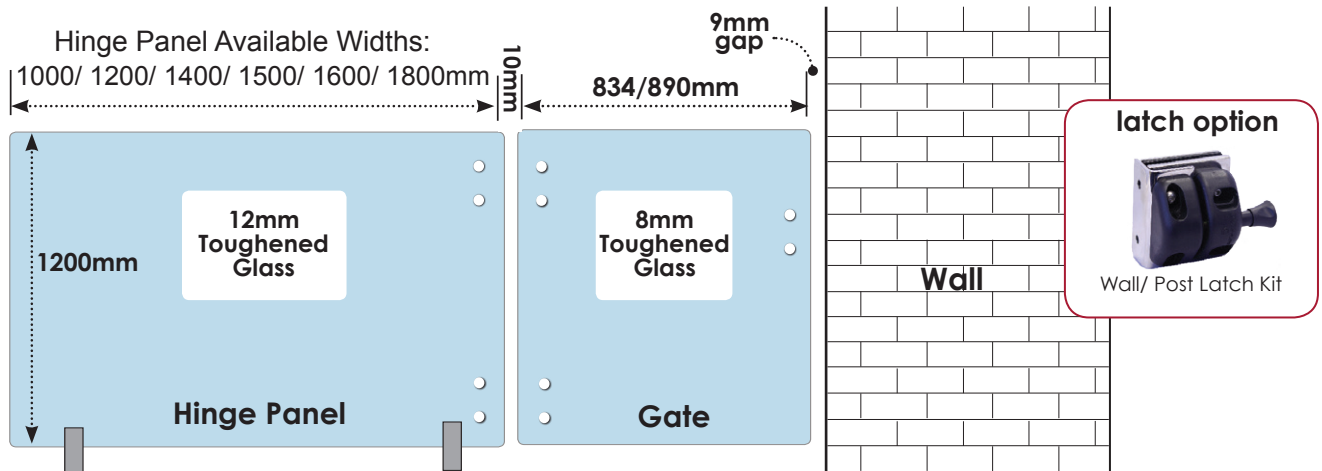


890mm Side Pull Gate  
Order Code: LG-17244

## Hinge To Latch Panel



## Hinge To Wall/ Existing Post



# 12mm Fully Frameless Glass

## Glass Gate Drawings



**Glass To Glass  
Friction Latch Kit**



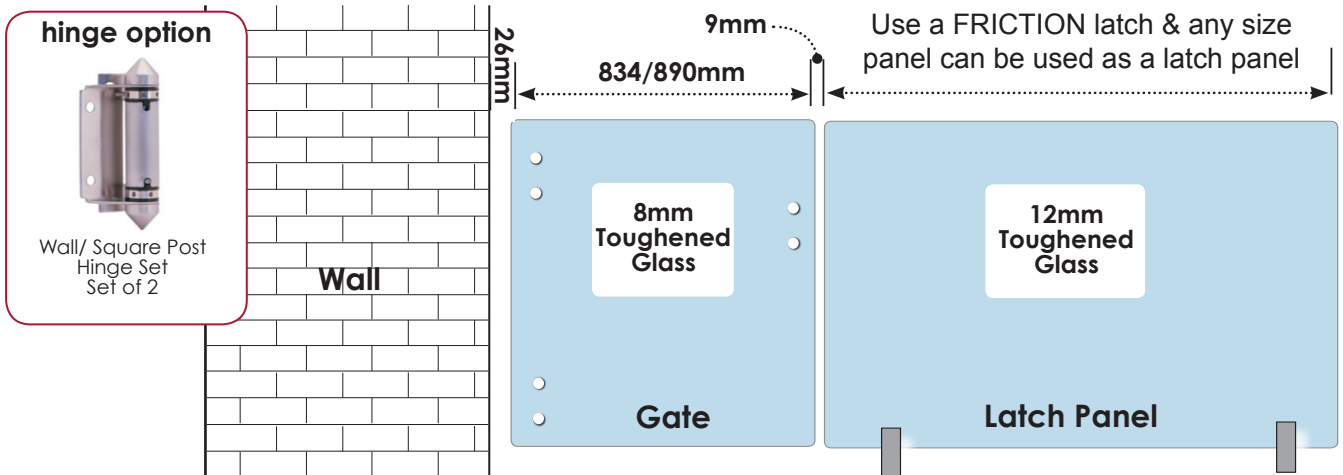
**Glass To Wall/ Post  
Friction Latch Kit**



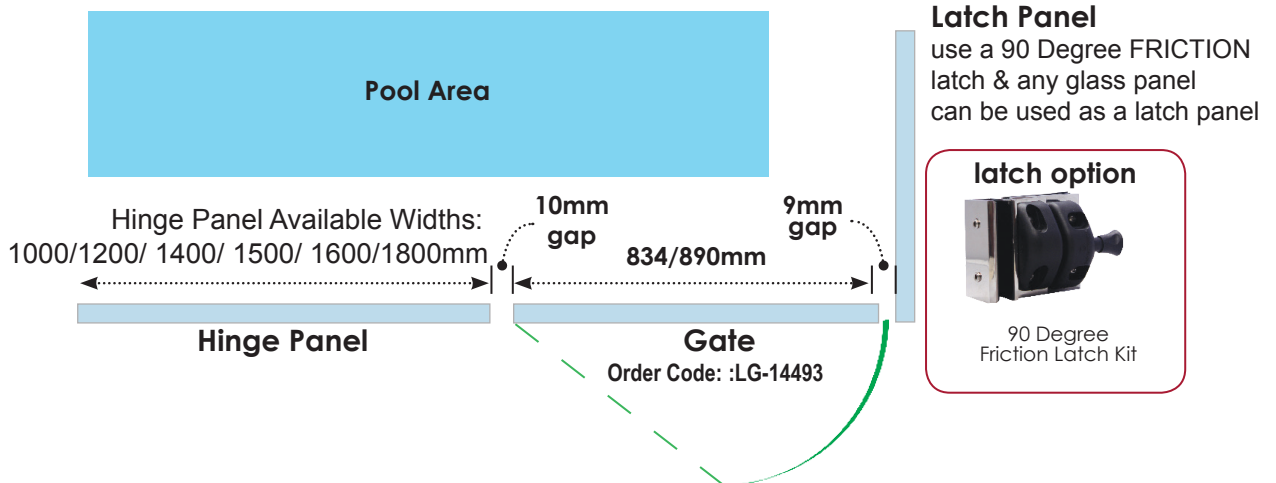
**Glass To 90 Degree  
Friction Latch Kit**

All backing plates available in polish stainless steel 316 finish

## Wall To Latch Panel



## Hinge To 90° Latch



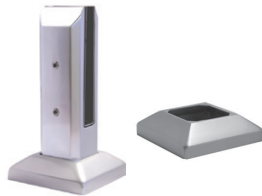
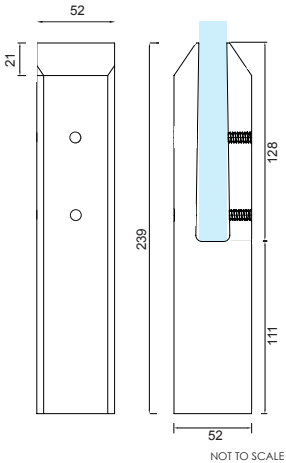
# 12mm Fully Frameless Glass

## Friction Spigot Range Summary

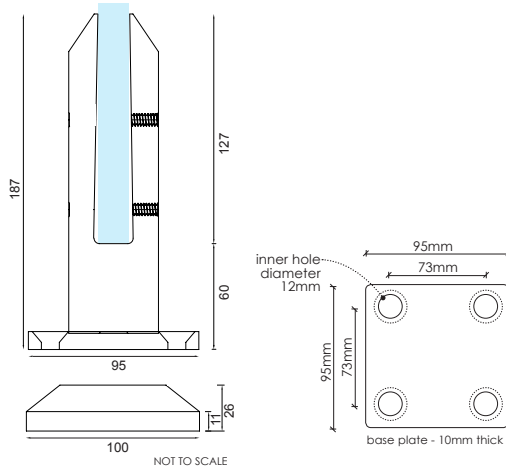
### SQUARE ANODISED - ANODISED ALUMINIUM CORE DRILLED & BASE PLATED



**Core Drill Spigot Includes Dress Ring**  
 Order Code: **LG-15360 (satin finish)**  
 GO Order Code: **U3-S-S (spigot only)**  
 GO Order Code: **U-DR-S (dress ring only)**



**Base Plated Spigot Includes Domical Cover**  
 Order Code: **LG-15359 (satin finish)**  
 GO Order Code: **U3-SBP-S (spigot only)**  
 GO Order Code: **U-DC-S (domical cover only)**



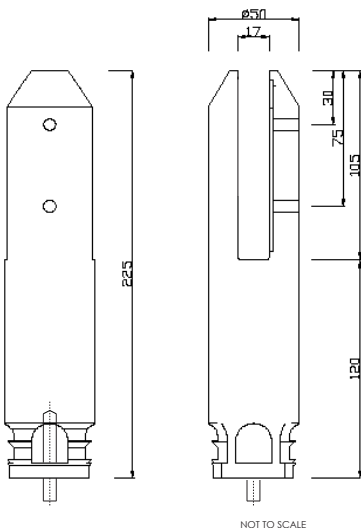
### Advantages - Anodised Range

- Aluminium spigot with superb anodised finish (brushed satin)
- Anodising avoids issues such as tea-staining present with stainless steel
- Many features allow easy glass installation

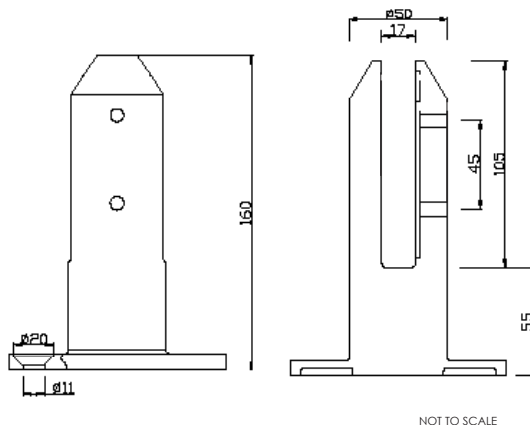
### ROUND 2205 STAINLESS - DUPLEX STAINLESS STEEL 2205 CORE DRILLED & BASE PLATED



**Core Drill Spigot Includes Dress Ring**  
 Order Code: **LG-15698 (polish finish)**  
 GO Order Code: **RIO-S-P**  
**RIO-DR-P**



**Base Plated Spigot Includes Domed Domical Cover**  
 Order Code: **LG-15699 (polish finish)**  
 GO Order Code: **RIO-SBP-P**  
**RIO-SDC-P**



### Advantages - Round Stainless Range

- Stainless Steel 2205
- Polish finish – Core Drill and Base Plated
- Many features allow easy glass installation

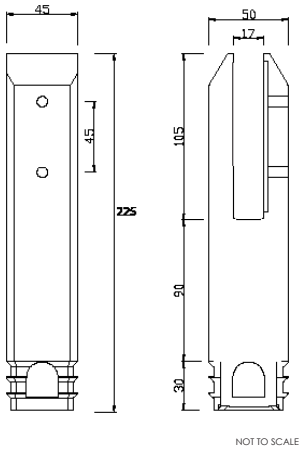
# 12mm Fully Frameless Glass

## Friction Spigot Range Summary

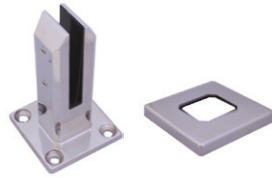
**SQUARE STAINLESS 2205 - DUPLEX STAINLESS STEEL 2205  
CORE DRILLED & BASE PLATED**



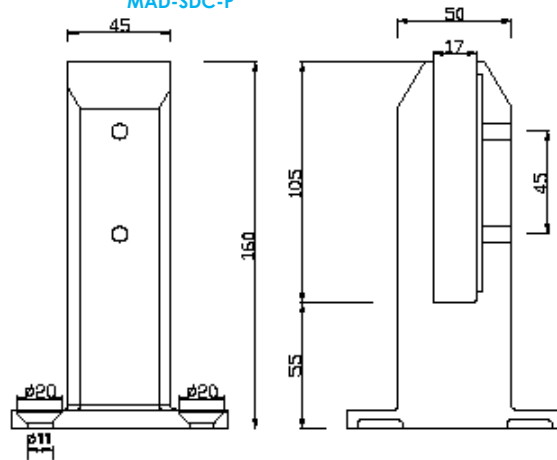
**Core Drill Spigot Includes Dress Ring**  
Order Code: **LG-15700** (polish finish)  
GO Order Code: **MAD-S-P**  
**MAD-DR-P**



NOT TO SCALE



**Base Plated Spigot Includes Domical Cover**  
Order Code: **LG-15701** (polish finish)  
GO Order Code: **MAD-SBP-P**  
**MAD-SDC-P**



### Advantages - Square Stainless Range

- Stainless Steel 2205
- Contemporary square shape with minimal visible fixings
- Polish finish – Core Drill and Base Plated
- Many features allow easy glass installation

**COUNTER SUNK SCREW  
100MM LONG - STAINLESS STEEL 316**



**Counter Sunk Timber Screw  
100mm Long**  
Stainless Steel 316 (hex head drive)  
Order Code: **LG-15208**  
GO Order Code: **CSK-100**

**NOTE:** When ordering base plated spigots to be installed into a timber deck, utilise 4 counter sunk screws per spigot

**SPIGOT EXTENDER  
200MM**

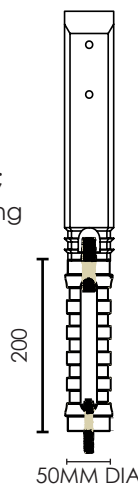


**Spigot Extender  
200mm Long**

#### EXTENDER ADVANTAGES

- Enables up to 200mm of vertical height adjustment; extra anchoring in footings (especially when working with sand)
- Made from stainless steel 304
- To extend, simply screw onto bottom of round or square core drill spigots

Order Code: **LG-16382**  
GO Order Code: **S-XT**



**EPIREZ INSTANT GROUT  
15KG BUCKET**



**EpiRez Instant Grout  
15Kg Bucket**

- Non-shrink grout
- Use when core drilling

Order Code: **PA-6273**  
GO Order Code: **GROUT-15KG**

# 12mm Fully Frameless Glass

## Gate Hardware

Complete hinge and latch configurations to suit frameless applications

### Latches:

- Genuine D&D side pull latches
- FRICTION latches in glass to glass and 90 degree available
- Satin finish

### Hinges:

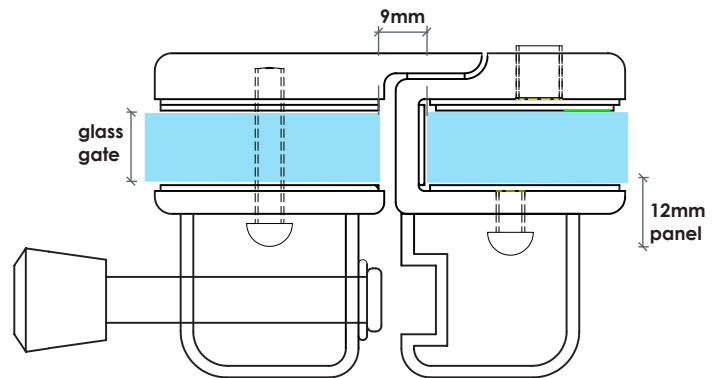
- Self closing hinges are stainless steel 316 and incorporate an integrated cone cap
- Satin finish

Stratco carries a complete range of glass gates and hinge panels to suit the Master Range hardware.

### Glass To Glass Friction Latch Kit



Order Code: **LG-15688 (polish finish)**  
GO Order Code: **MR-FLGG-L-P**



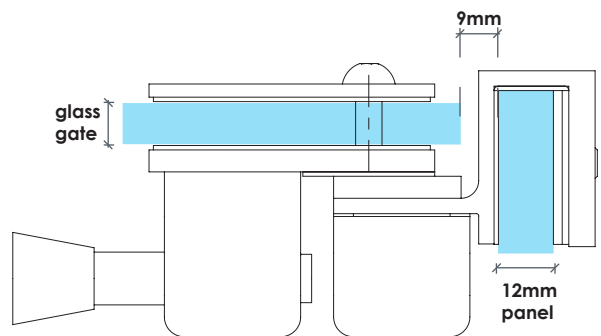
#### Specifications

- FRICTION LATCH for glass to glass 180 degree application
- Stainless steel backing plates + D&D side pull polymer latch
- Suits 8mm glass gates
- Latch panel must be 12mm thick – no latch holes required
- Available in polish finish backing plates

### Glass To Glass 90° Friction Latch Kit



Order Code: **LG-15689 (polish finish)**  
GO Order Code: **MR-FL90E-L-P**



#### Specifications

- Glass gate to 90 degree latch panel
- Stainless steel backing plates + D&D side pull polymer latch
- Suits 8mm glass gates
- Latch panel must be 12mm thick – no latch holes required
- Available in polish finish backing plates



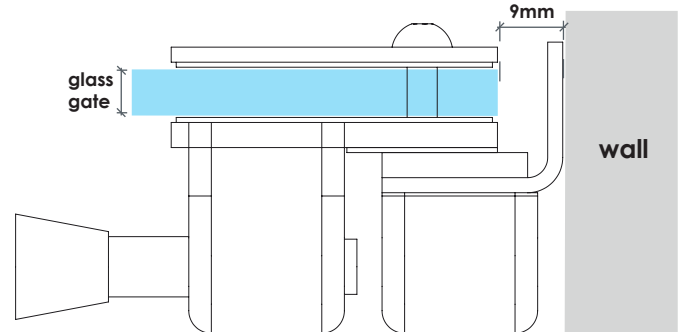
# 12mm Fully Frameless Glass

## Gate Hardware

### Glass To Wall Latch Kit



Order Code: **LG-15690 (polish finish)**  
GO Order Code: **MRWGL-L-P**

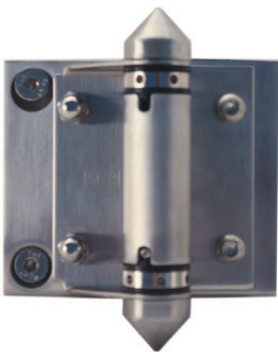


#### Specifications

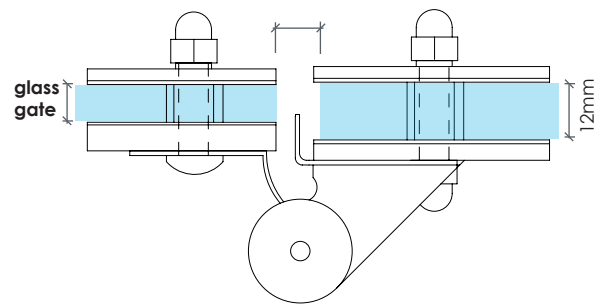
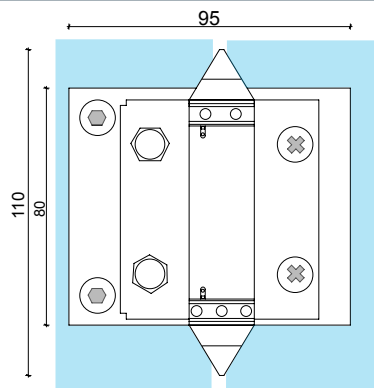
- Glass gate to wall/square post application
- Stainless steel backing plates + D&D side pull polymer latch
- Suits 8mm glass gates
- Available in polish finish backing plates

NOT TO SCALE

### Glass To Glass Hinge Set - SS 316



Order Code: **LG-15686 (polish finish)**  
GO Order Code: **MR-GGH-P**



#### Specifications

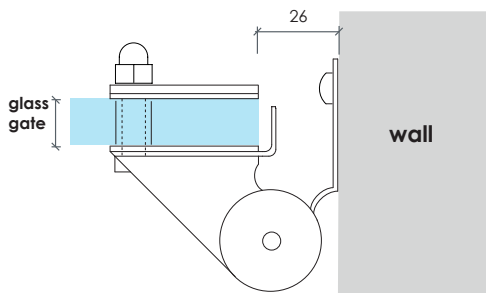
- Glass to Glass 180 degree application
- Suits 8mm gates
- Stainless steel 316
- Available in polish finish backing plates

NOT TO SCALE

### Glass To Square Post/ Wall Hinge Set - SS 316



Order Code: **LG-15687 (polish finish)**  
GO Order Code: **MR-SPH-P**



#### Specifications

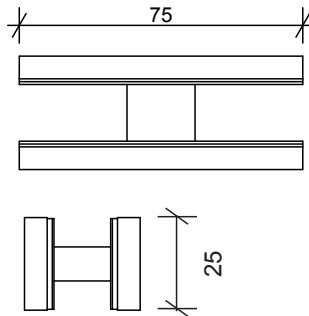
- Glass Gate to Square Post/Wall application
- Suits 8mm gates
- Stainless steel 316
- Available in polish finish

NOT TO SCALE

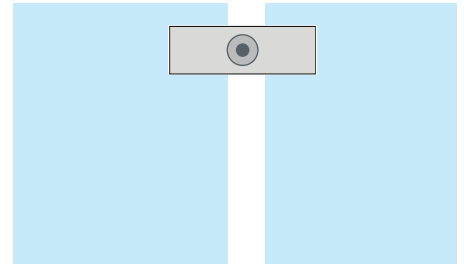
# 12mm Fully Frameless Glass

## BRACING CLAMPS

### SMALL BRACING CLAMP - STAINLESS STEEL 316



20 - 50mm gap



#### SMALL BRACING CLAMP

316 STAINLESS STEEL

**Polish Finish**

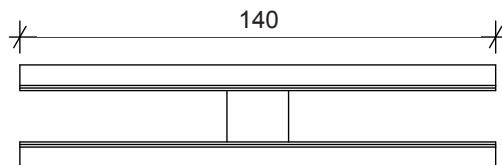
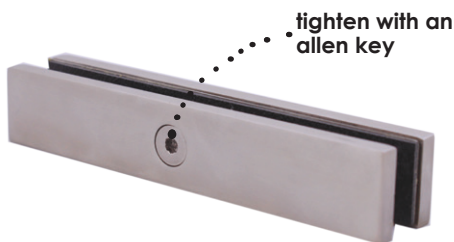
Order Code: **LG-16327**

GO Order Code: **GC-RIGIS-P**

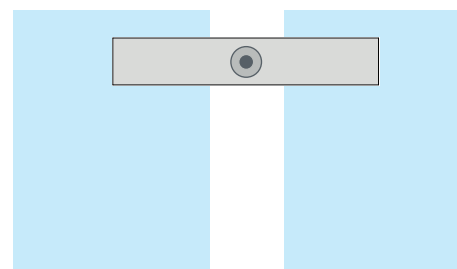
#### SPECIFICATION

- Polish finish
- Friction fit - No holes in glass needed
- Stainless steel 316
- Suitable for 12mm glass
- Assists rigidity & braces glass together

### LARGE BRACING CLAMP - STAINLESS STEEL 316



20 - 95mm gap



#### LARGE BRACING CLAMP

316 STAINLESS STEEL

**Polish Finish**

Order Code: **LG-16326**

GO Order Code: **GC-RIGIL-P**

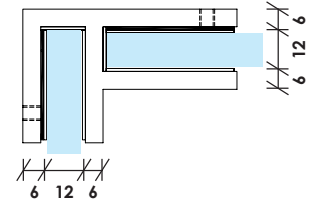
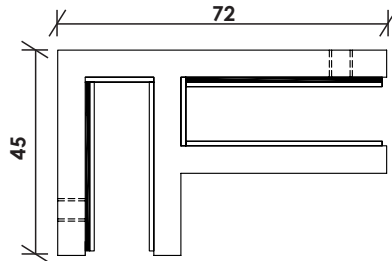
#### SPECIFICATION

- Polish finish
- Friction fit - No holes in glass needed
- Stainless steel 316
- Suitable for 12mm glass
- Assists rigidity & braces glass together

# 12mm Fully Frameless Glass

## BRACING CLAMPS

### 90 DEGREE BRACING CLAMP - STAINLESS STEEL 316



#### SPECIFICATION

- Polish finish
- Friction fit - No holes needed in glass
- Stainless steel 316
- Suitable for 12mm glass
- Assists rigidity & braces glass together at 90° angle

#### 90 DEGREE BRACING CLAMP

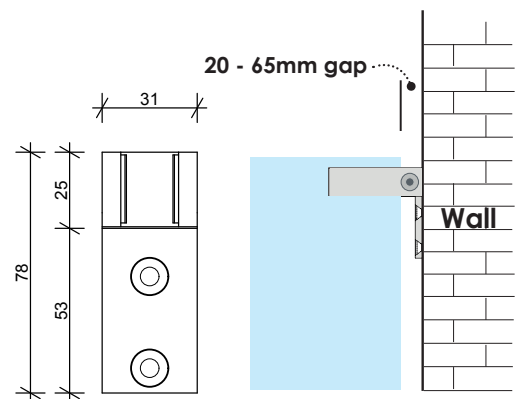
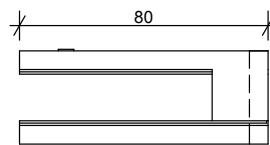
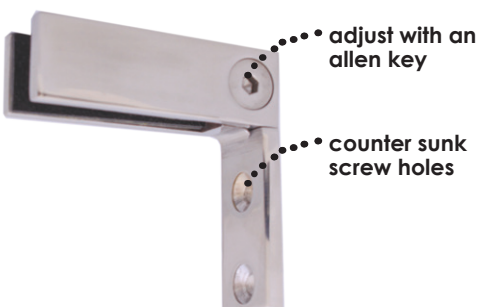
316 STAINLESS STEEL

**Polish Finish**

Order Code: **LG-16325**

GO Order Code: **GC-RIGI90-P**

### WALL BRACING CLAMP - STAINLESS STEEL 316



#### SPECIFICATION

- Polish finish
- Brace panels to a wall or post
- Friction Fit - No holes needed in glass
- Stainless steel 316
- Suitable for 12mm glass
- Assists rigidity & braces glass together
- Wall fittings not included

#### WALL BRACING CLAMP

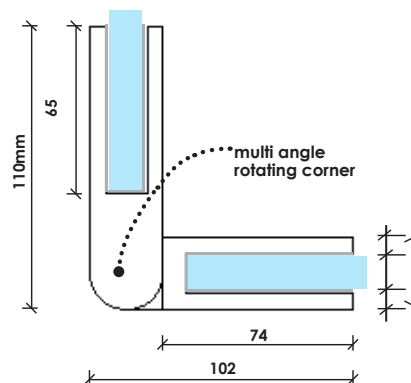
316 STAINLESS STEEL

**Polish Finish**

Order Code: **LG-16329**

GO Order Code: **GC-RIGIW-P**

### SWIVEL BRACING CLAMP - STAINLESS STEEL 316



#### SPECIFICATION

- Multi angle bracing clamp - a solution to variable angle installs
- Friction fit - No holes needed in glass
- Stainless steel 316 - polish finish
- Suitable for 12mm glass
- Assists rigidity & braces glass together

#### SWIVEL BRACING CLAMP

316 STAINLESS STEEL

**Polish Finish**

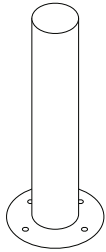
Order Code: **LG-16328**

GO Order Code: **GC-RIGISWIV-P**

# 12mm Fully Frameless Glass

## ROUND 50.8MM DIAMETER STAINLESS STEEL 316 POSTS

For hinging 834mm wide glass gates



DOMICAL COVER  
TOP CAP

### BASE PLATED POST SPECIFICATION

- Pre-welded base plate
- 50.8mm diameter round post
- 1300mm High
- Heavy duty wall thickness

Order Code: **LG-16354**  
**LG-16322**  
**LG-16388**  
GO Order Code: **MOD50-1300HDBP-P**  
**MOD50-DC-P**  
**MOD50-HDTC-P**



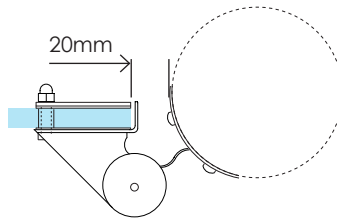
DOMICAL COVER  
TOP CAP

### CORE DRILL POST SPECIFICATION

- 50.8mm diameter round post
- 1400mm High
- Heavy duty wall thickness

Order Code: **LG-16355**  
**LG-16322**  
**LG-16388**  
GO Order Code: **MOD50-1400HD-P**  
**MOD50-DC-P**  
**MOD50-HDTC-P**

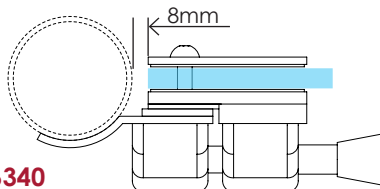
## ROUND POST HINGE



Order Code: **LG-16337**  
GO Order Code: **MR-RPH-P**

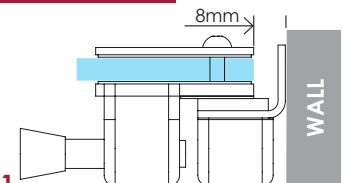


## ROUND POST LATCH



Order Code: **LG-16340**  
GO Order Code: **MR-RPLSS-P**  
• Complete stainless steel 316 round post latch

## WALL LATCH



Order Code: **LG-16341**  
GO Order Code: **MR-WGLSS-P**  
• Complete stainless steel 316 wall/square post latch

## CONFIGURATION FOR 834MM GATES

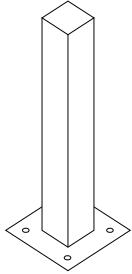
## CONFIGURATION FOR 890MM GATES



# 12mm Fully Frameless Glass

## 40mm x 40mm SQUARE STAINLESS STEEL 316 POSTS

For hinging 834mm wide glass gates



### BASE PLATED POST SPECIFICATION

- Pre-welded base plate
- 40 x 40mm square post
- 1300mm High
- Heavy duty wall thickness

Order Code: **LG-16353**  
**LG-16330**  
**LG-16389**  
 GO Order Code: **MOD40-1300HDBP-P**  
**MOD40-DC-P**  
**MOD40-HDTC-P**

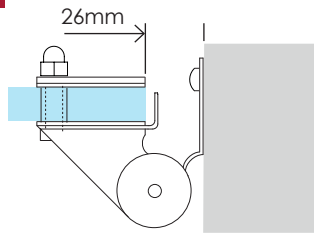


### CORE DRILL POST SPECIFICATION

- 40 x 40mm square post
- 1400mm High
- Heavy duty wall thickness

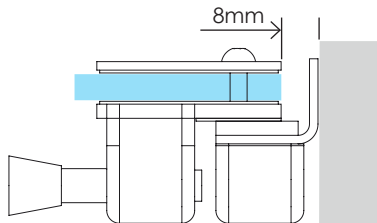
Order Code: **LG-16324**  
**LG-16330**  
**LG-16389**  
 GO Order Code: **MOD40-1400HD-P**  
**MOD40-DC-P**  
**MOD40-HDTC-P**

### SQUARE POST HINGE



Order Code: **LG-15687**  
 GO Order Code: **MR-SPH-P**

### SQUARE POST LATCH

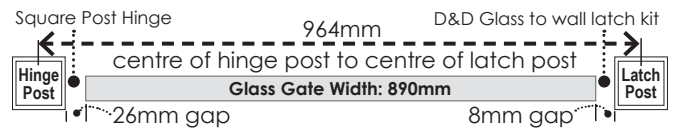
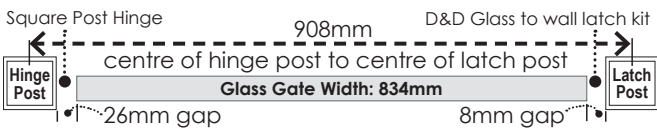


Order Code: **LG-16341**  
 GO Order Code: **MR-WGLSS-P**

- Complete stainless steel 316 wall/square post latch

### CONFIGURATION FOR 834MM GATES

### CONFIGURATION FOR 890MM GATES

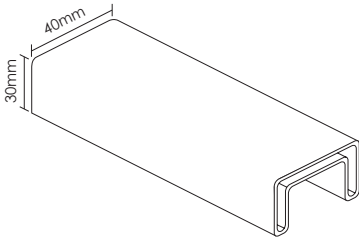




# 12mm Fully Frameless Glass

## GLASS CAPPING RAIL

### GLASS CAPPING RAIL



#### 2900mm Length Rail

- 40mm x 30mm dimension
- SS316L composition
- Polish finish

**Order code: LG-16336**

GO Order Code: [STG-R2900-4030-P](#)

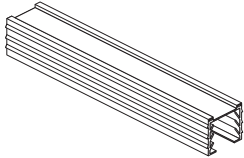
#### 5800mm Length Rail

- 40mm x 30mm dimension
- SS316L composition
- Polish finish

**Order code: LG-16335**

GO Order Code: [STG-R5800-4030-P](#)

### GLAZING RUBBER



#### 6000mm Length

- Suits 40mm x 30mm rail
- Simply fit over glass

**Order code: LG-16334**

GO Order Code: [STG-4030-GR](#)

### 90° JOINER



- Suits 40mm x 30mm rail
- SS316L composition
- Polish finish

**Order code: LG-16332**

GO Order Code: [STG-4030-90J](#)

### INLINE JOINER



- Suits 40mm x 30mm rail
- SS316L composition
- Polish finish

**Order code: LG-16331**

GO Order Code: [STG-4030-J](#)

### WALL PLATE



- Suits 40mm x 30mm rail
- SS316L composition
- Polish finish

**Order code: LG-16333**

GO Order Code: [STG-4030-WP](#)

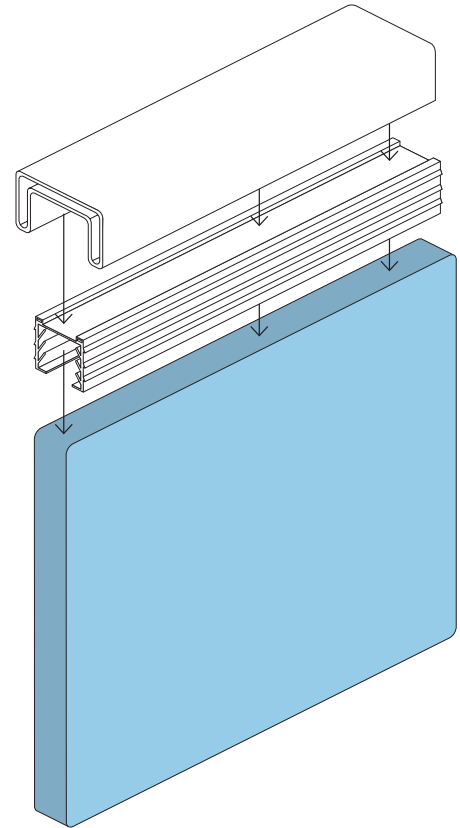
### END CAP



- Suits 40mm x 30mm rail
- SS316L composition
- Polish finish

**Order code: LG-16323**

GO Order Code: [STG-4030-EC](#)



### GLASS CAPPING RAIL

#### When would the Glass Capping Rail be required?

1. To conceal and protect the exposed top edges of the glass .
2. To strengthen the glass in areas of high wind.
3. Once a glass fence is over 1m from the ground (e.g. on a raised deck) the fence requires a handrail on top to meet the relevant balustrade Standards. (Capping rail tested and approved for balustrading)

#### IMPORTANT

Anodised Square spigots cannot be used where a capping rail is required as per point 3

### INSTALLATION GUIDE

First, position the glazing rubber over the top edge of the glass, then lever the capping down over the rubber as far as it will go. A spirit level will be ideal for checking that the capping rail is sitting properly. You may need a rubber mallet to remove any unevenness in the capping rail once applied.

# tips! For glass handling

Glass handling should be done with the utmost care and attention. Guidelines recommended include employing a number of checks prior to undertaking any activity:

- Ensure that there is sufficient room to maneuver the glass
- Check the weight prior to lifting, if too heavy, call for assistance or use other means
- Use safe lifting posture
- When lifting glass, it should be kept upright and movement smooth to avoid undue flexing

Recommended personal protective equipment used when undertaking activities with glass include:

- Suitable gloves (non-slip)
- Steel capped boots are always a good idea
- Safety glasses
- Suction cups and lifting devices (if large pieces of glass moved)
- Clothing should be tight fitting so that no loose items can catch the glass causing trips and falls

Glass should be stored in dry conditions on its edge and should not come in contact with any substance harder than itself. Also, glass should be stored having an inclination of 3 degrees for static racks and 5-6 degrees for transportable racks and trolleys and in both cases supported evenly over its surface area. If glass is transported in a crate laying horizontally, unpack the glass as soon as practicable and store in the recommended upright position with incline. Do not put glass bottom edge directly on the ground when storing upright – always put suitable timber/hard rubber blocks under the bottom edge so as to avoid chipping edges.