

Garage Doors

Roller | Tilt | Door Operators



Roller Doors

Smooth And Quiet

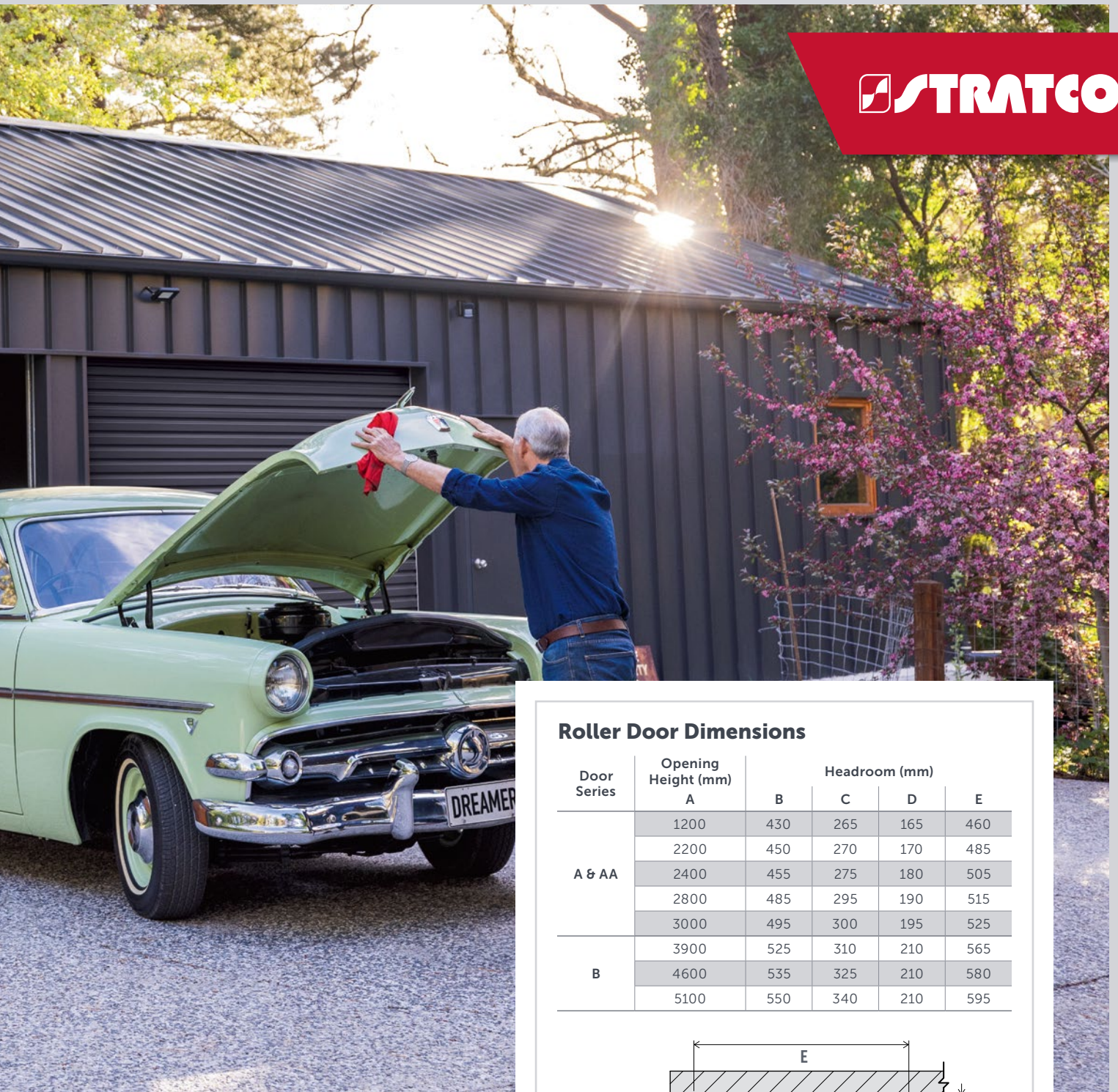
Stratco Roller Doors are made to the highest manufacturing standards to provide the smoothest, quietest roller doors on the market. We follow a strict checklist using the highest quality parts to produce our superior quality doors. Using the best quality springs ensures the door will operate up and down with ease for years to come. Locks are fully fitted to all doors we manufacture. Stratco Roller Doors use a heavier duty bottom rail for extra security and strength. Nylofelt strip is used to give the door a noiseless and grease free operation.

Big Or Small

Stratco produce all standard size roller doors as well as customised doors up to a huge 5.6m wide and 5.1m high. Counter top and/or personal access doors are also available, starting from as small as 900mm wide.

Great Finish

Stratco Roller Doors feature a chrome lock which provides an appealing finish and greater longevity over a plastic lock. 'Key-to-like' is available by request.

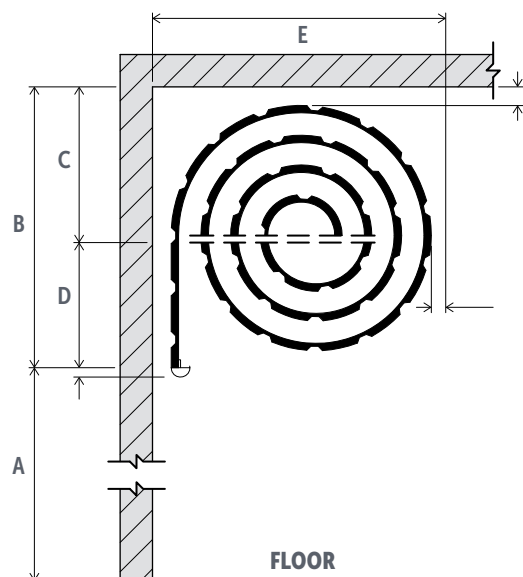


Roller Door Dimensions

Door Series	Opening Height (mm)	Headroom (mm)				
	A	B	C	D	E	
A & AA	1200	430	265	165	460	
	2200	450	270	170	485	
	2400	455	275	180	505	
	2800	485	295	190	515	
	3000	495	300	195	525	
B	3900	525	310	210	565	
	4600	535	325	210	580	
	5100	550	340	210	595	

No Room? - No Problem

Need to get a motor into tight side room? Recess drum wheels are available by request. In conjunction with the RDO 15 slim line 18V high torque motor, your door and motor can be fitted onto 'a 90mm post'. We can also manufacture a reversed-roll roller door for the purpose of fitting the door to the outside of your opening.





Tilt Doors

Strong, Smooth And Quiet

Tilt Garage Doors use pivoting arms to move a single panel door. The pivoting arms shift the door so that it is moved into the ceiling space when opened. This is done by moving the door out and up from the closed position.

Stratco are one of the few local manufacturers of tilt doors. All of our huge range of hinges and tracks are hot dipped galvanised so they will never rust.

Panels are available in a choice of modern looking door panels through to the inexpensive K-panel or an even cheaper Zinc/Al panel. Tilt Garage Doors feature a very rigid construction and are made locally.

Tilt Garage Door Features

- Galvanised steel heavy duty hinges
- Super smooth and quiet
- Stylish designs
- Colour coded rivets
- Powder coating available
- Solid T-Handle lock sets
- Motors designed for tilt doors
- Optional Belt Drive rail.



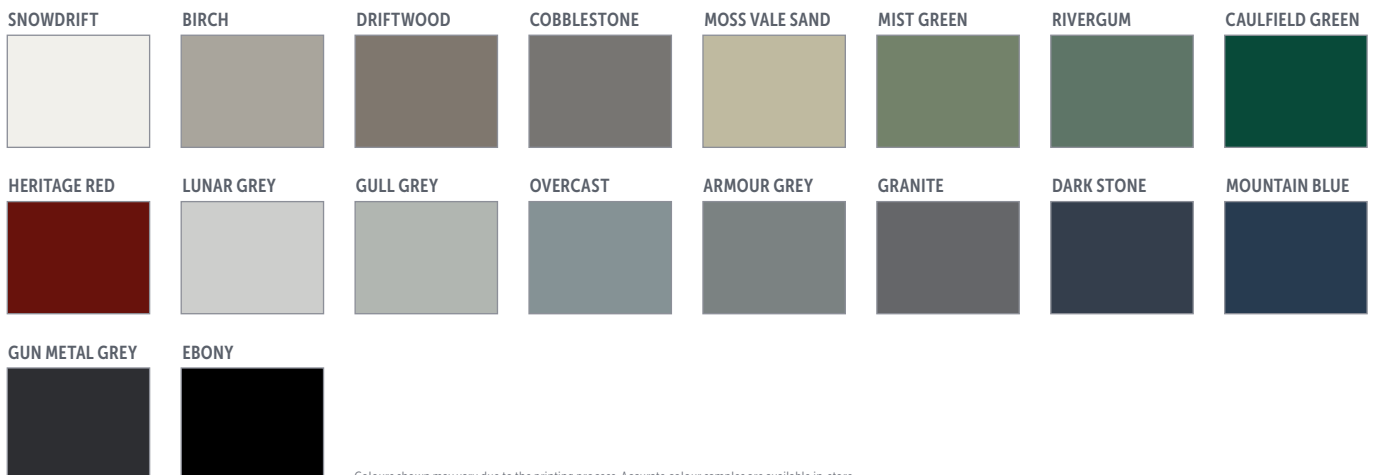
Colour Your World

Stratco Garage Doors are available in a range of 5 standard pre-painted steel colours and an additional 21 premium powder coated colours to match or contrast with your home's colour scheme. So whether you choose calming hues or bold tones for your garage, you will find a colour that's just right for you. Speak to your Stratco Garage Doors consultant for more great ideas and colour samples.

Standard Pre-Painted Range



Premium Powder Coated Range



Colours shown may vary due to the printing process. Accurate colour samples are available in-store.

Automatic Door Operators

RDO15 Roller Door Motor

The RDO15 is what's known as a two-piece operator. A control box is positioned on the wall and the motor unit is mounted in the end of the roller door assembly. It is the motor of choice due to its reliability, versatility and strength. Designed for minimal side room, the motor is covered with a 5 year warranty. The control box can be fitted away from the motor unit with the addition of an extension cable.

- High torque, whisper quiet motor lifts up to 15m² door
- Includes 2 stylish alloy body hand transmitters
- Transmitters feature rolling codes for added security
- Manual release - 'one pull' disengage and re-engage manual release cable to use in case of power failure
- User friendly controls are reliable, safe and flexible.



RDO15 Technical Specifications

Power Input	220-240 VAC 50/60Hz
Motor	18 VAC
Courtesy Light Time	3 Minutes
Working Temperature	-20°C ~ 40°C
Relative Humidity	< 90%
Open & Close Force	600N
Reception Frequency	433.92 MHz
Operator Limits Travel	6.5 circles of door drum wheel
Decoding	Rolling Code
Transmitter Power	12V Battery
Lamp	LED, 12V DC

RDO30 Roller Door Motor

The RDO30 is a one-piece operator that is mounted in the end of the roller door assembly. It is reliable, versatile and strong and includes a handy inbuilt courtesy light. Designed for minimal side room, the motor is covered with a 5 year warranty.

- Requires only 40mm side room
- Automatic safety reverse/door stop
- Transmitters feature rolling codes
- Smooth and quiet operation
- Automatic light delay
- Manual release handle in case of power failure
- Easy to set mechanical limits.



RDO30 Technical Specifications

Power Input	220-240V AC 50Hz
Motor	24V DC 235W
Courtesy Light Time	3 Minutes
Working Temperature	-20°C ~ 40°C
Relative Humidity	< 90%
Open & Close Force	400N (40kg)
Reception Frequency	433.92MHz
Sensitivity	> 1V for correct receiver signal (average range 50m, with an aerial)
Decoding	Rolling Code
Transmitter Power	24V
Lamp	LED Bulb

SDO1200B Tilting & Sectional Door Motor

The SDO1200B is a super quiet and stylish garage door operator that is designed for both tilt and sectional doors and provides secure and reliable operation. The motor is covered with a 5 year warranty.

- Soft start, soft close - greatly reduces wear and tear on all components and reduces noise
- Includes 3 stylish alloy body hand transmitters
- Motor rail - full length C-channel rail for increased strength and stability with an auto-reconnect self-lubricating trolley made of high impact fibre filled nylon (rails are available in varying lengths for different door heights)
- Includes manual release cable in case of power failure
- Belt tensioner - spring loaded chain tensioning system reduces noise, wear and tear by taking up excess slack in the chain or belt
- User friendly controls are reliable, safe and flexible
- Six core cable belt drive system is supplied as standard to make the SDO1200B motor virtually noiseless.



SDO1200B Technical Specifications

Power Input	230-240VAC 50/60Hz (or 110-120V)
Motor	24V DC 100W
Courtesy Light Time	3 Minutes
Working Temperature	-20°C ~ 40°C
Relative Humidity	< 90%
Open & Close Force	1200N
Door Opening Size	16m ² - 160kg
Reception Frequency	433.92 MHz or other on request
Decoding	Rolling Code
Transmitter Power	12V Battery
Lamp	LED, 24VDC 1000 Lumens

Garage Door Accessories



Digital Keyless Entry Wireless Keypad

Allows entry into your garage if a hand transmitter is not available. A wall mounted keypad with cover that can be programmed with codes from 4 to 8 digits for maximum security. Includes a back-light for your convenience when used in poor lighting situations.



Multi-Function Hand Transmitter

Stylish and robust remote that can be used for up to four individual doors operators.



Photo Eye Protection

Transmits an invisible light across the inside of your garage door opening, providing added protection against a door operating when a car or person is in the door opening area.



Emergency Key Release

Allows access to the garage in case of malfunction or power failure.



Battery Back-Up

Also used in case of malfunction or power failure, the battery back-up allows electronic operation of your garage door.



« SCAN THIS QR CODE TO FIND A STRATCO NEAR YOU

1300 155 155
stratco.com.au

All brands and logos/images accompanied by ® or ™ are trade marks of Stratco (Australia) Pty Limited. © Copyright July 2024

How To.

