

BOX GUTTERS

Drill a Ø14mm hole through the centre of each column 100mm down from the top of the portal column, see Figure 81. Fix the lowered top wall girt to the portal columns with M10x16mm hex head bolts. This girt will support the base of the box gutter.

Drill a Ø14mm hole in each rafter approximately 23mm in from the end. Bolt the additional purlin to the rafters with M10x16mm hex head bolts.

Depending on the preferred gable end for the downpipe, cut the hole for the downpipe outlet in one of the box gutter stop ends before fixing it to the box gutter using rivets and seal with silicone, see Figure 83.

Slide the box gutter into position onto the lowered top wall girt, ensuring the front of the box gutter caps the wall sheet, see Figure 82. Fix the box gutter to the wall sheets with M10x16 self drilling screws, at the same spacing as the wall sheet to girt fixings.

Note: The Superdek® wall sheets for the box gutter side wall are 47mm longer than standard.

Use the box gutter stop end with outlet hole as a template to mark and cut out a corresponding section of the gable wall sheet, see Figure 84.

Rivet the outlet into position and seal with silicone, see Figure 85.

The corner flashing will need to be notched to allow for the downpipe outlet. Fix the 90° downpipe elbow to the outlet with rivets and continue to assemble and install the downpipe.

Install the roof sheets, see Page 32. Ensure the roof sheets are fixed to the additional purlin.

Note: The roof sheets supplied for the box gutter side of the Gable Roof Shed are 127mm shorter than the roof sheets on the opposite side of the Gable Roof Shed.

For more information please refer to the box gutter installation guide available on the Stratco website.

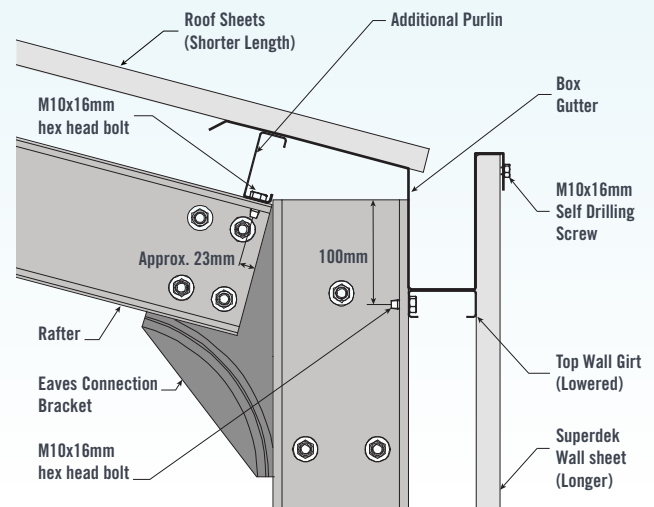


FIGURE 82

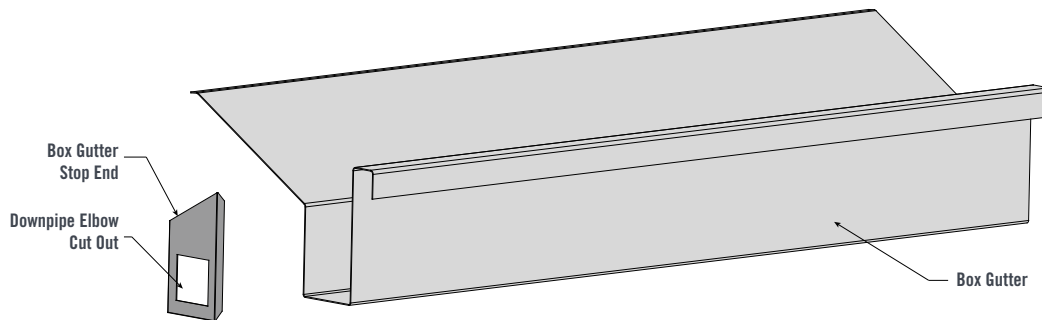


FIGURE 83

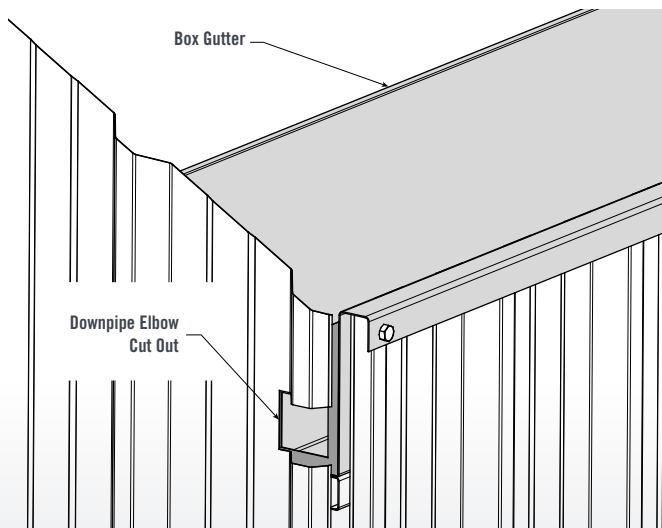


FIGURE 84

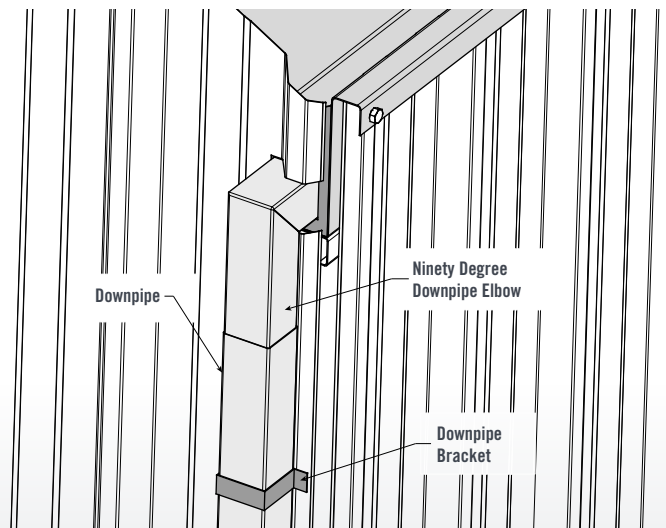


FIGURE 85