

2 Sliding Doors

TYPE 3 - GABLE END



BEFORE YOU START

This Installation Guide is designed to give you the basic assembly techniques required to install 2 sliding doors in the gable end of your Stratco Gable Homeshed. Please use this guide in conjunction with the main set of instructions supplied with your Stratco Gable Homeshed titled "Stratco Gable Homesheds, Framework".

STEP 1

Push both sliding door tracks through the double brackets and space at 800mm centres as illustrated in figure 1. Place the track and brackets on top of the 50x50mm or 65x65mm header beam and mark the hole locations for each bracket. Position the end brackets approx. 150mm in from the ends of the tracks. Drill 10mm diameter holes as marked. The inside track may need trimming to fit between the eaves brackets.

STEP 2

Bolt the tracks to the header beam with one M8x75mm or M8x90mm hex head bolt per bracket.

STEP 3

Slide two nylon 4 wheel carriages into the end of each sliding door track.

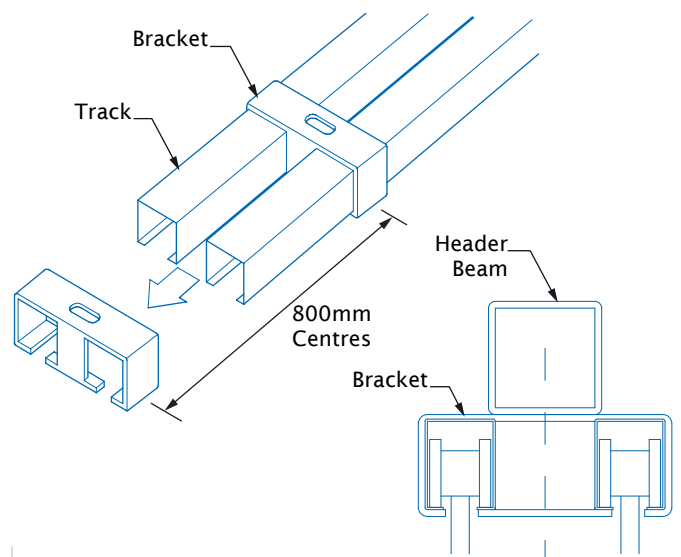


Figure 1

STEP 4

Before attaching the header beam, notch out the required amount of material both ends so it can be placed in front of the eave brackets and flush with the front face of the homeshed columns. When done correctly it will provide a flush surface to attach the Superdek gable end sheeting as well as locating the header beam at the correct height for the door opening, which is 270mm down from the top of the columns.

Use two header beam brackets to attach the header beam to the columns as illustrated in figure 2. Screw the brackets to each column using two 12X20mm self drilling screws then place the header beam on top and use another two 12x20mm self drilling screws through each bracket to secure the header beam in place.

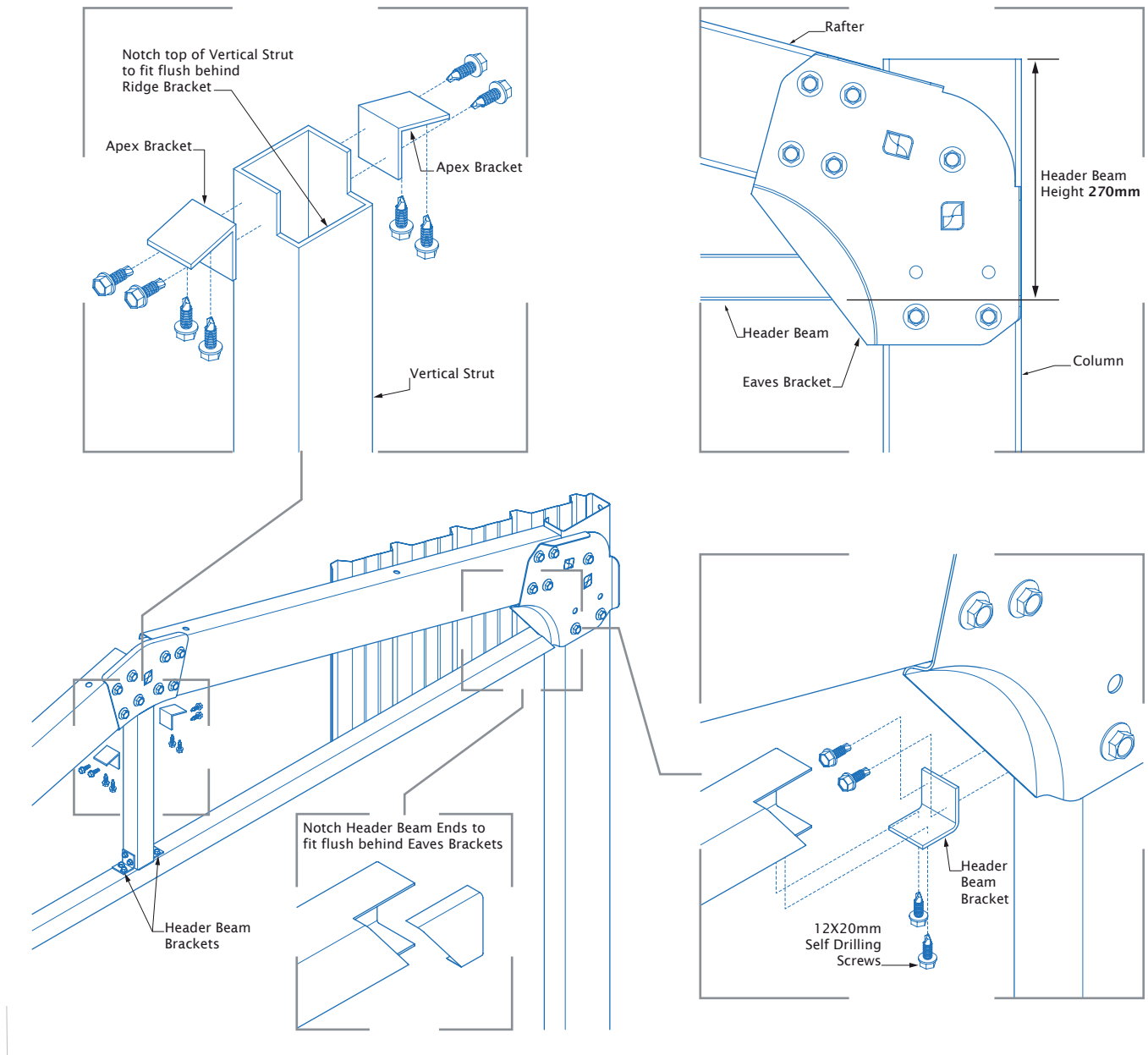


Figure 2

STEP 5

Notch the top of the vertical strut as shown in Figure 2 and fasten in place between the ridge bracket connection point (apex) and the header beam using 10x16mm self

drilling screws and the brackets provided.

Two header beam brackets are used to connect the strut to the header beam and two apex brackets are used to connect the strut at the apex.



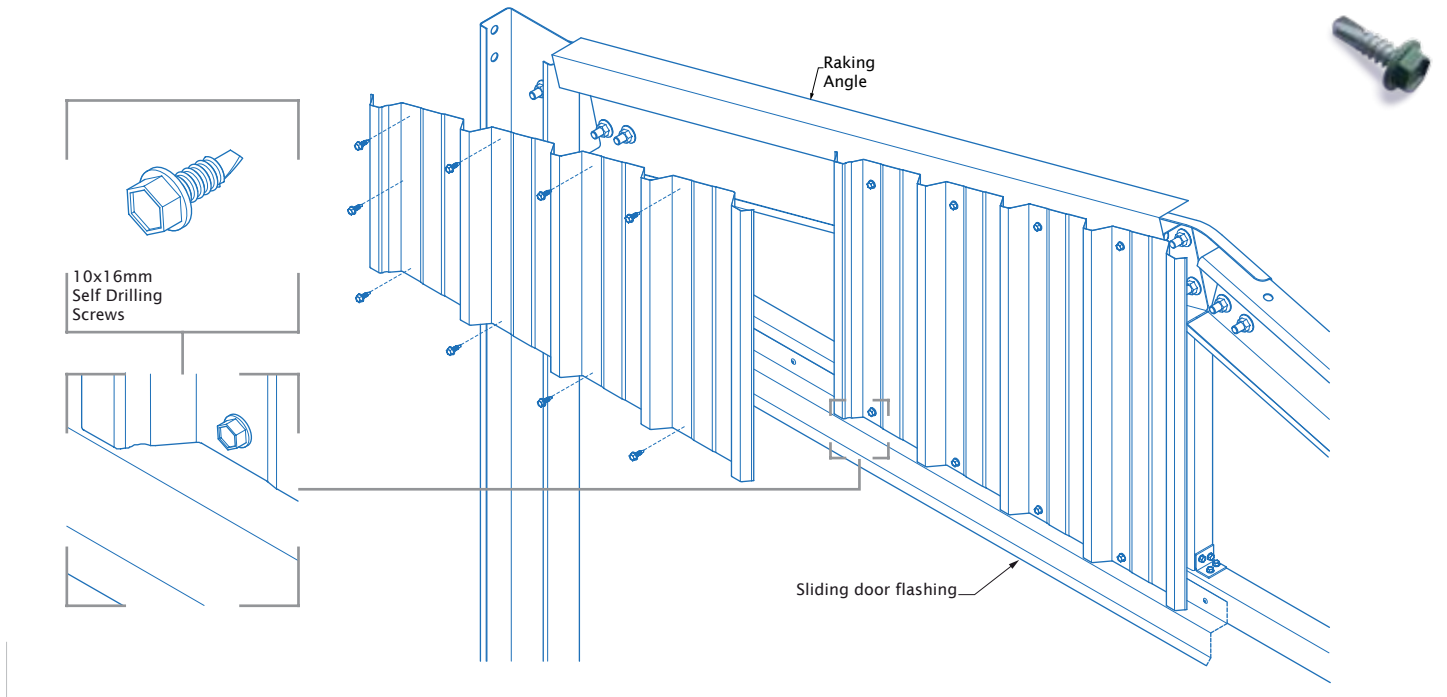


Figure 3

STEP 6

Rivet the sliding door flashing to the 50x50mm or 65x65mm header beam then pan fix the Superdek gable end wall sheets to the open gable end with 10x16mm self drilling screws (figure 3).

The barge capping and corner flashings can also be fixed to the gable end. Fix all flashings with rivets at 600mm centres.

Fix a track stop into each end of the front sliding door track.

STEP 7

Pan fix the Stratco Superdek wall sheets to the sliding door frame with 10x16mm self drilling screws. Start from one end, ensuring the under-lap lip is aligned with the edge of the frame as illustrated in figure 5. Rotate the final sheet, fixing the under-lap lip to the other end of the frame (figure 4).

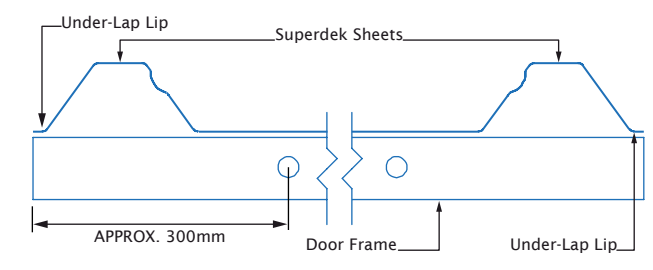


Figure 4

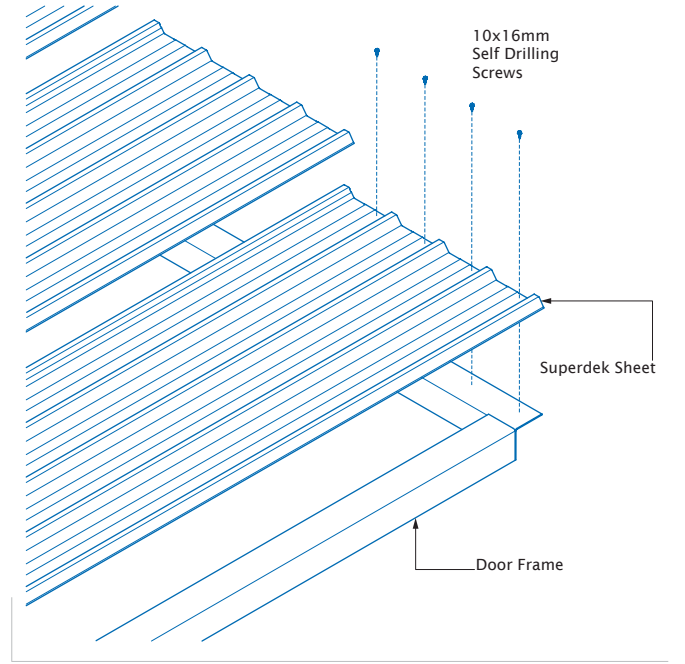


Figure 5

CONTACT

1300 165 165

STEP 8

Drill a 10mm hole through the top horizontal member of the door frame approx. 300mm in from both sides. Lift the door and stand it directly under the door track. Insert the 8mm carriage pins through the 10mm holes and secure with a nut as illustrated in figure 6. Adjust the height of the door accordingly. Ensure the door slides before footings are poured.

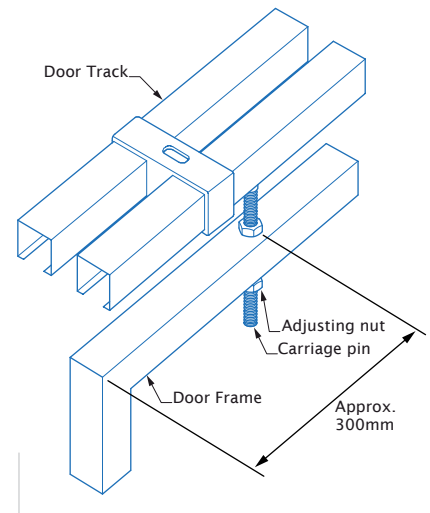


Figure 6

STEP 9

Once the footings have been poured, bolt the polycarbonate floor guides to a concrete base with four M8x65mm masonry anchors. The central floor guides are located side by side as illustrated in figure 7. Please refer to the Manufacturer's installation details for the sliding door lock assembly instructions.

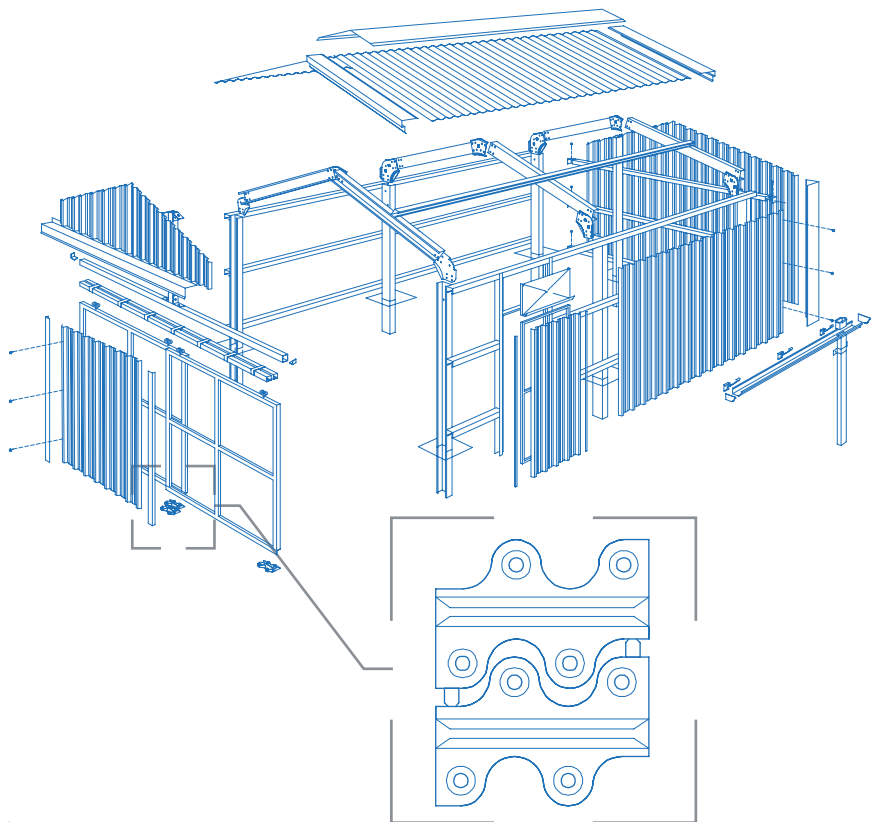


Figure 7

1 Sliding Door

TYPE 4 - GUTTER SIDE



BEFORE YOU START

This Installation Guide is designed to give you the basic assembly techniques required to install 1 sliding door in the gutter side of your Stratco Gable Homeshed. Please use this guide in conjunction with the main set of instructions supplied with your Stratco Gable Homeshed titled "Stratco Gable Homesheds, Framework".

STEP 1

Lay the lipped c-section columns on the ground making sure the open side of each column is facing the correct way. As a general rule, the open side of each column will face the rear of the Homeshed, except the front columns which face the front of the Homeshed.

STEP 2

Please Note: Due to onsite adjustments and variances in bay spacings, header beams will be supplied un-punched.

Fix the header beam brackets to the columns using flanged purlin bolts. Place the 150mm header beam over the header beam brackets so that the top of the header beam is in line with the top of the column as shown in Figure 4. From the inside of the beam mark the hole locations with a pencil and drill 14mm holes where required. Bolt the header beam to the header beam brackets (See figure 1 over page) using the flanged purlin bolts and nuts provided.

STEP 3

Place the wall girts across the columns, leaving an opening between the columns where the sliding door is to be positioned. Match the pre-drilled holes and fix each girt to each column with flanged purlin bolts and nuts.

STEP 4

Place the filler column on top of the front end column as illustrated in figure 1 below. Fasten the columns together using flanged bolts and nuts.

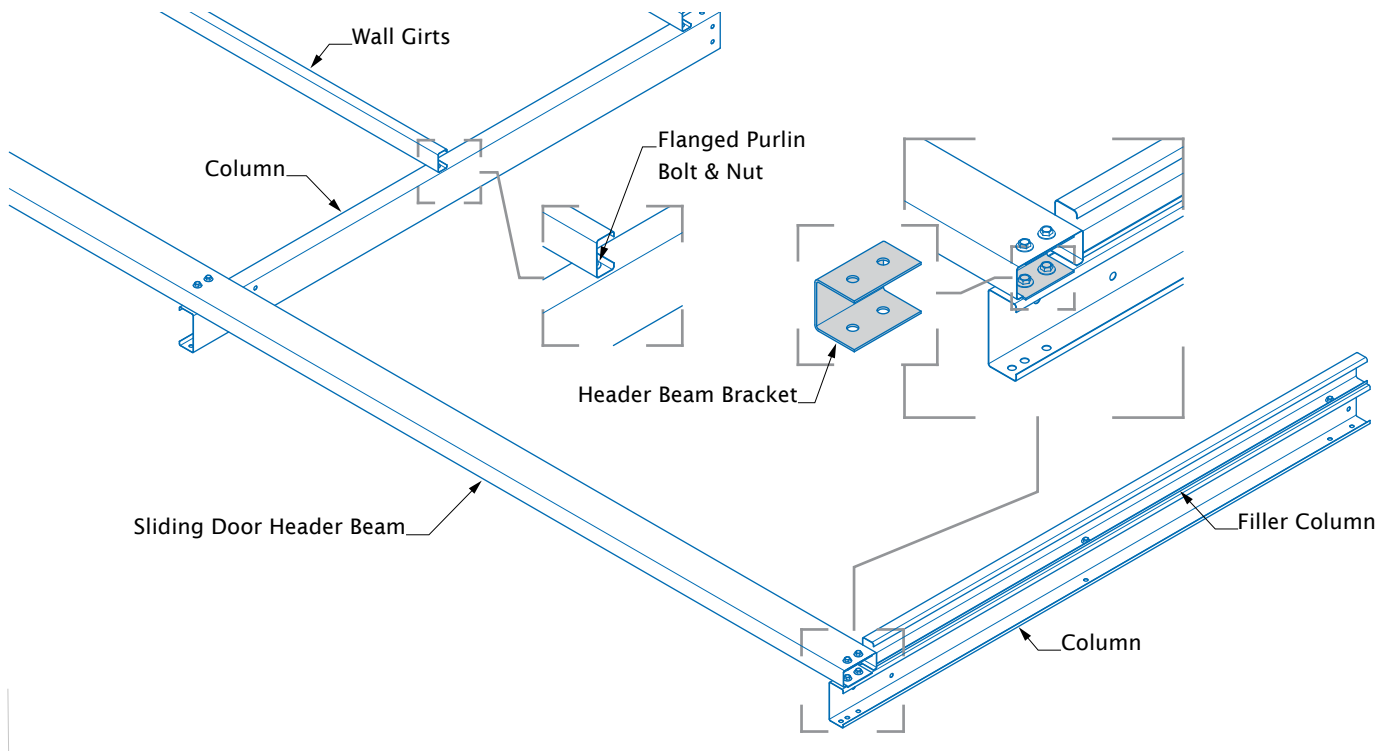


Figure 1

STEP 5

Commence sheeting from the front of the Homeshed, ensuring the under-lap lip is aligned with the edge of the wall girts.

Pan fix the Stratco Superdek wall sheets with 10x16mm self tapping screws at every wall sheet and girt junction.

Check the wall frame remains square as the wall sheets are fixed.

STEP 8

A "top hat" shaped flashing has been supplied to pack the area above the sliding door. Place the flashing over the top flanged purlin bolt heads as illustrated in figure 4 and fasten to the header beam at 600mm centres with 10x16mm self tapping screws.

STEP 6

Use an M8x12mm counter sunk bolt to fix the support bracket to the track bracket as illustrated in figure 2.

Push the sliding door track through the brackets and space at 800 mm centres.

Slide two nylon 4 wheel carriages into the end of each sliding door track.

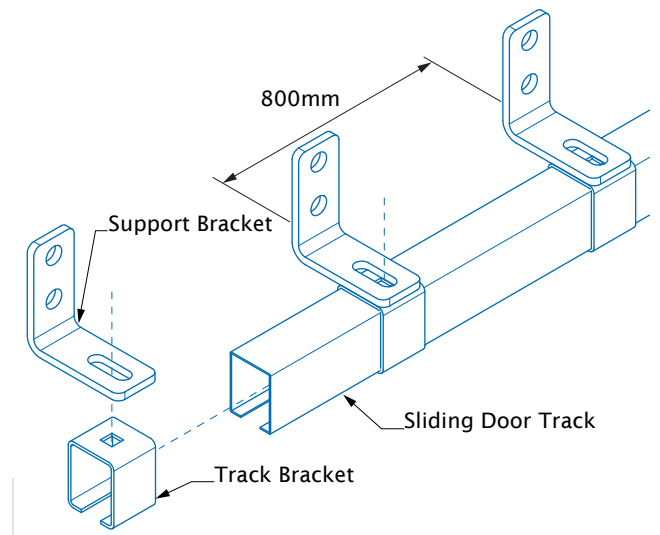


Figure 2

STEP 7

Fix the sliding door support brackets to the header beam with M8x20mm hex head bolts at 800mm centres.

Position the support bracket so the top face of the bracket is flush with the bottom of the header beam as illustrated in figure 4.

STEP 9

Fix the header beam packer flashing to the "top hat" flashing and header beam with rivets at approximately 300mm centres.

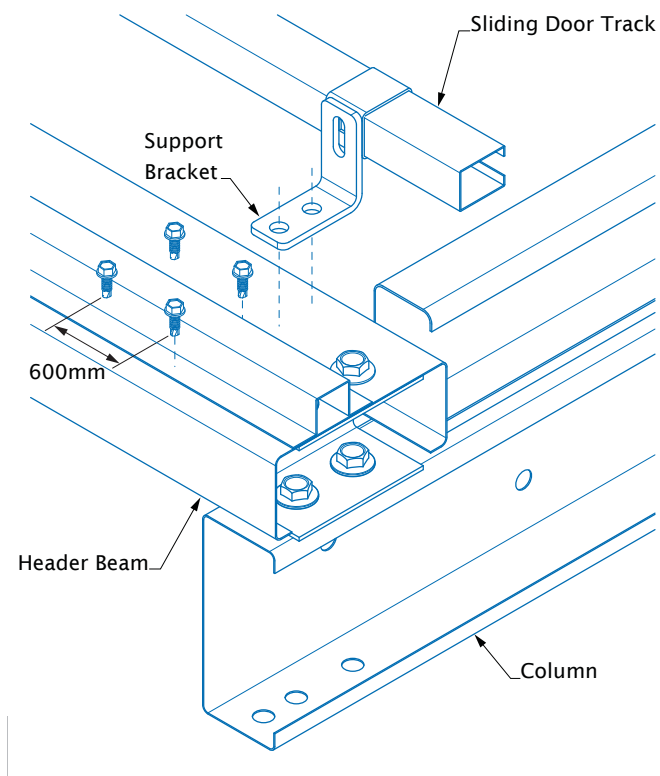


Figure 3

STEP 10

Rivet the sliding door flashing to the packer flashing at 300 mm centres. Align in with the bottom face of the header beam packer flashing as illustrated below in figure 4.

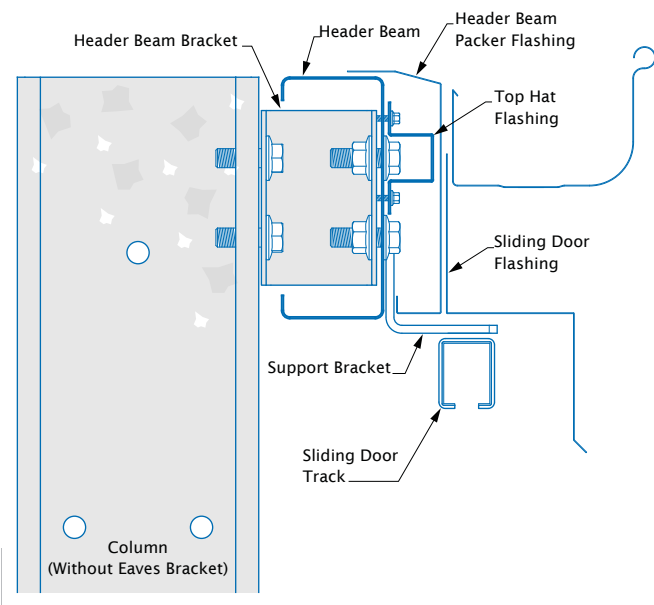


Figure 4

STEP 11

Rivet a left and right hand stop end to each length of gutter and seal with silicone.
Cut a hole for each downpipe outlet and rivet the outlet into position and again seal with silicone.

STEP 12

Fix the gutter brackets to the header beam packer flashing at approximately 1000 mm centres with rivets.
Once the gutter brackets have been installed, roll the gutter bead onto the gutter bracket and clip the back of the gutter into position.

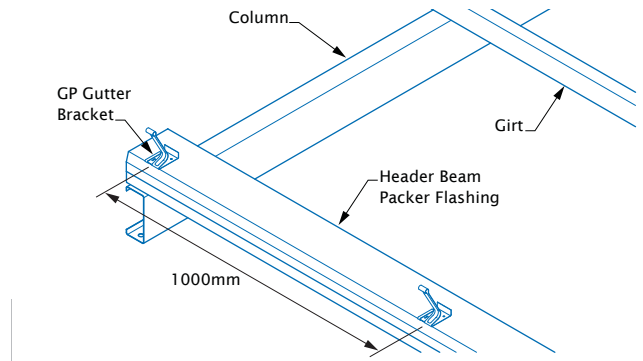


Figure 5

STEP 13

Stand the wall frame in the footing holes, and temporarily brace it with props.

STEP 14

Fix a track stop into each end of the front sliding door track.

STEP 15

Pan fix the Stratco Superdek wall sheets to the sliding door frame with 10x16mm self drilling screws.
Start from one end, ensuring the under-lap lip is aligned with the edge of the frame as illustrated in figure 5.
Rotate the final sheet, fixing the under-lap lip to the other end of the frame (figure 4).

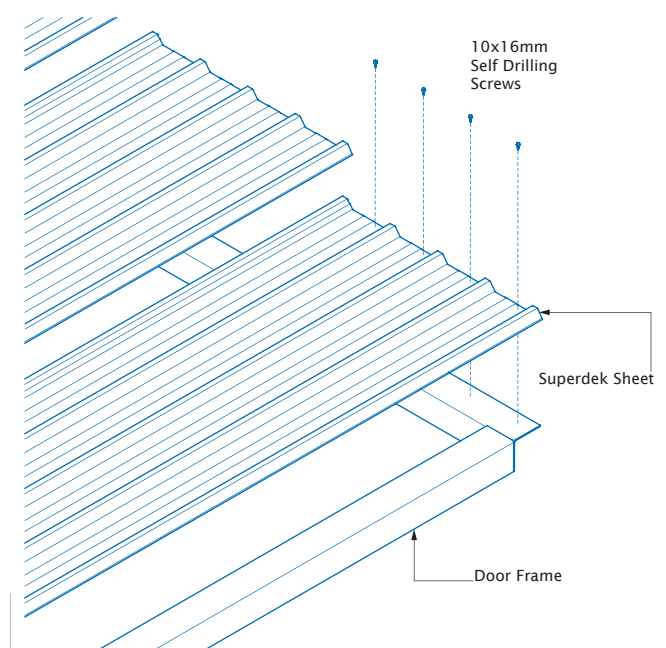
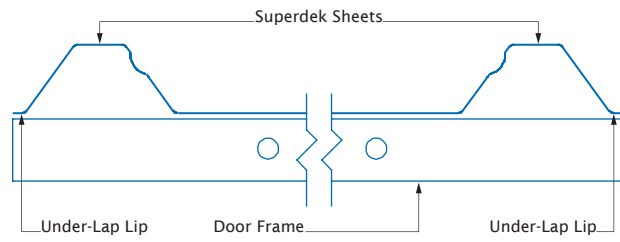


Figure 6

CONTACT

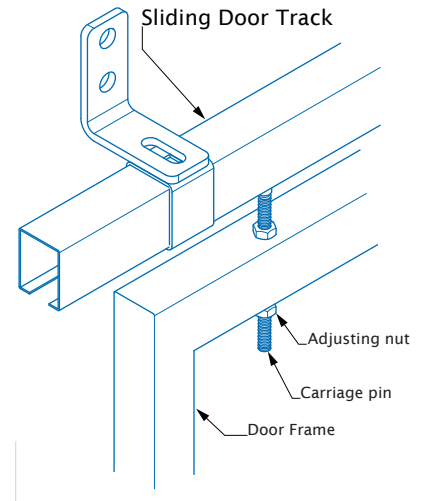
1300 165 165



: [i fY' +

GH9D'%'*

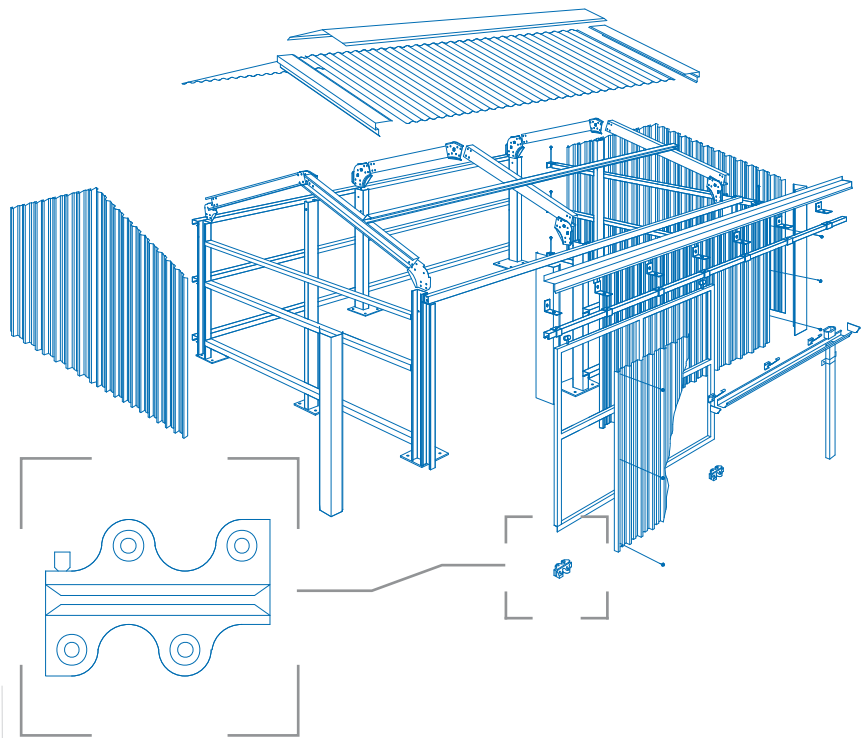
Lift the door, and stand it directly under the door track. Insert the carriage pin through the top of the door frame and secure with a nut as illustrated in figure 6. Adjust the height of the door accordingly. Ensure the door slides before footings are poured.



: [i fY' ,

GH9D'%'ot

Once the footings have been poured, bolt the polycarbonate floor guides to a concrete base with four M8x65mm masonry anchors. The central floor guides are located side by side as illustrated in figure 7. Please refer to the Manufacturer's installation details for the sliding door lock assembly instructions.



: [i fY' -

2 Sliding Doors

TYPE 5 - GUTTER SIDE



BEFORE YOU START

This Installation Guide is designed to give you the basic assembly techniques required to install 2 sliding doors in the gutter side of your Stratco Gable Homeshed. Please use this guide in conjunction with the main set of instructions supplied with your Stratco Gable Homeshed titled "Stratco Gable Homesheds, Framework".

STEP 1

Lay the lipped c-section columns on the ground making sure the open side of each column is facing the correct way. As a general rule, the open side of each column will face the rear of the Homeshed, except the front columns which face the front of the Homeshed.

STEP 2

Please Note: Due to onsite adjustments and variances in bay spacings, header beams will be supplied un-punched.

Fix the header beam brackets to the columns using flanged purlin bolts. Place the 150mm header beam over the header beam brackets so that the top of the header beam is in line with the top of the column as shown in Figure 4. From the inside of the beam mark the hole locations with a pencil and drill 14mm holes where required. Bolt the header beam to the header beam brackets (See figure 1 over page) using the flanged purlin bolts and nuts provided.

STEP 3

Place the wall girts across the columns, leaving an opening between the columns where the sliding doors will be positioned. Match the pre-drilled holes and fix each girt to each column with flanged purlin bolts and nuts.

STEP 4

Place the filler column on top of the front end column as illustrated in figure 1 below. Fasten the columns together using flanged bolts and nuts. For Homesheds 6.2m long, a filler column will need to be fixed to the rear end column. Similarly, fasten both columns together with flanged purlin bolts and nuts.

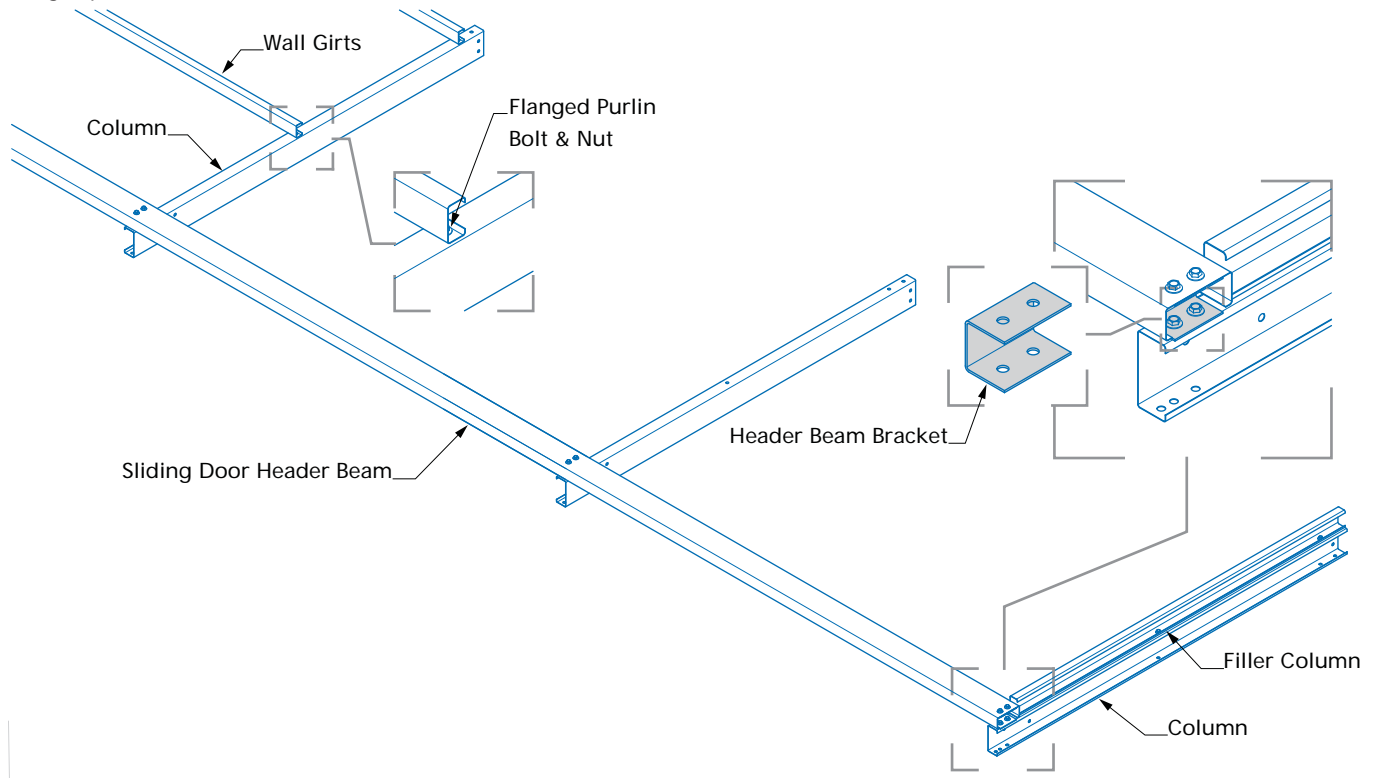


Figure 1

STEP 5

Ensure framework is square and the diagonal measurements are equal. Start sheeting from one end, ensuring the under-lap is aligned with the edge of the wall girts. Pan fix the wall sheets with 10x16mm self tapping screws at every wall sheet and girt junction. The top of each wall sheet must finish 5mm below the top of the sliding door header beam. This will prevent any rubbing between wall and roof sheets.

STEP 6

Push both sliding door tracks through the double support brackets. Space the brackets at approximately 800 mm centres as illustrated in figure 2. Slide two nylon, 4 wheel carriages into each sliding door track.

STEP 7

Drill the base of the header beam with 10mm diameter holes at 800mm centres to match the bracket spacing. Bolt the double brackets with track to the under side of the header beam with M8x20mm hex head bolts. (Figure 3)

STEP 8

Rivet the sliding door flashing to the header beam at 300 mm centres. Position the flashing above the track. (Figure 4)

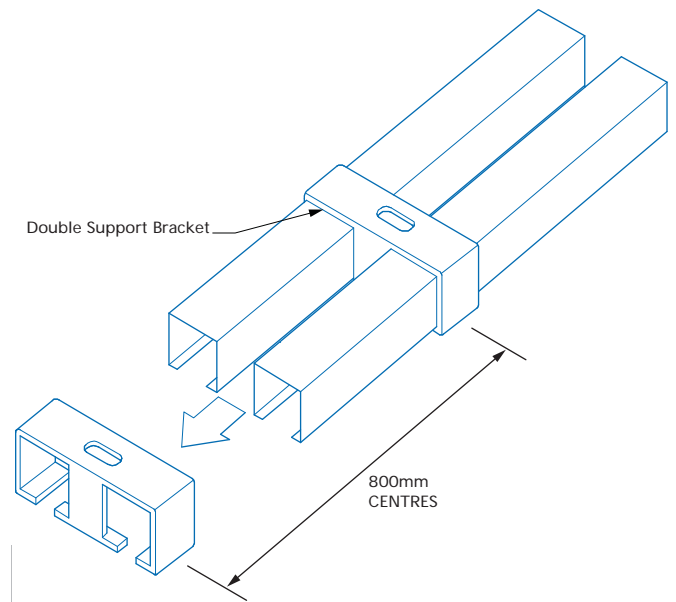


Figure 2

STEP 9

A "top hat" shaped flashing has been supplied to pack the area above the sliding door. Fix the "top hat" flashing to the header beam at 600mm centres with 10x16mm self drilling screws. This is illustrated in figure 3. Position the "top hat" flashing over the flanged purlin bolt head closest to the top of the column.

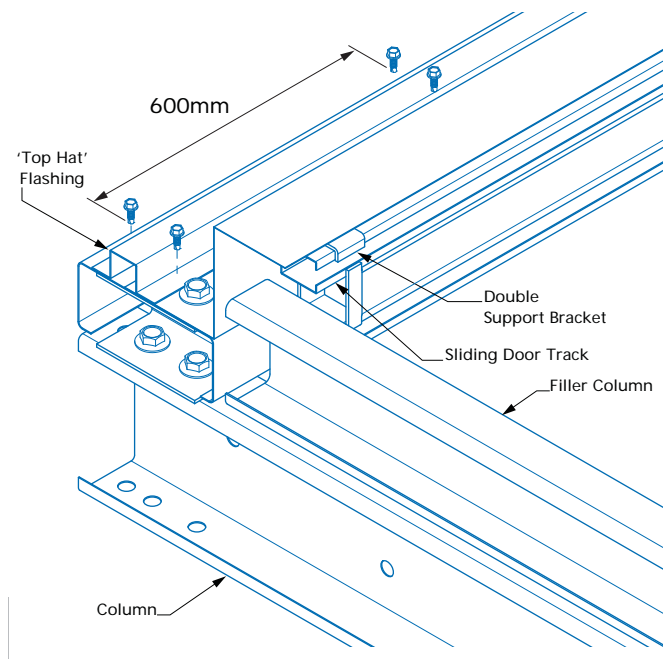


Figure 3

STEP 10

Fix the header beam packer flashing to the "top hat" flashing and header beam with rivets at approximately 300mm centres.

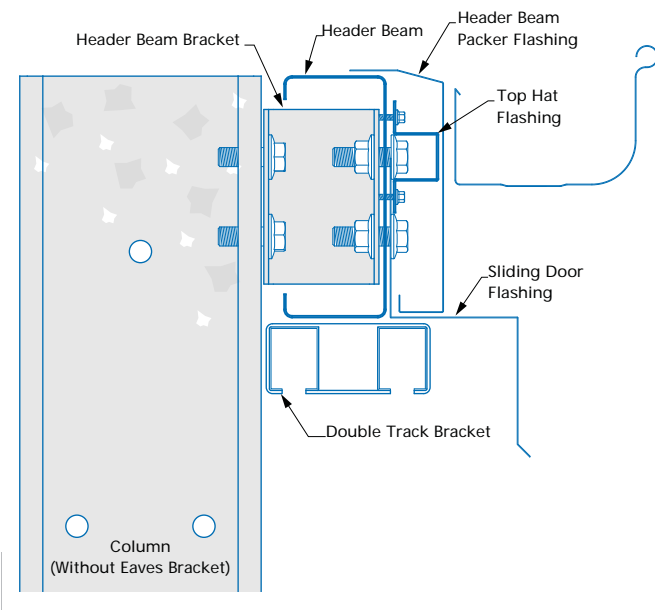


Figure 4

STEP 11

Rivet a left and right hand stop end to each length of gutter and seal with silicone.

Cut a hole for each downpipe outlet and rivet the outlet into position and again seal with silicone.

STEP 12

Fix the gutter brackets to the header beam packer flashing at approximately 1000 mm centres with rivets.

Once the gutter brackets have been installed, roll the gutter bead onto the gutter bracket and clip the back of the gutter into position.

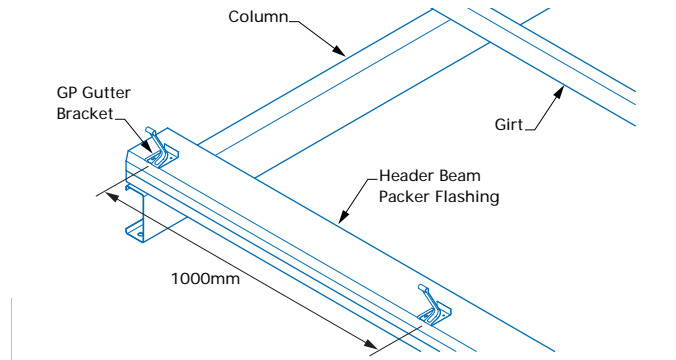


Figure 5

STEP 13

Stand the wall frame in the footing holes, and temporarily brace it with props.

STEP 14

Fix a track stop into each end of the front sliding door track.

STEP 15

Pan fix the Stratco Superdek wall sheets to the sliding door frame with 10x16mm self drilling screws.

Start from one end, ensuring the under-lap lip is aligned with the edge of the frame as illustrated in figure 5.

Rotate the final sheet, fixing the under-lap lip to the other end of the frame (figure 4).

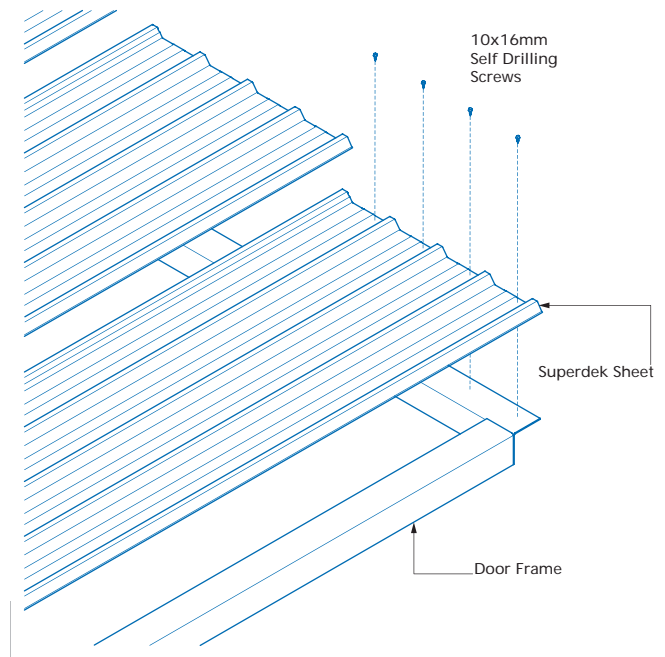


Figure 6

CONTACT

1300 165 165

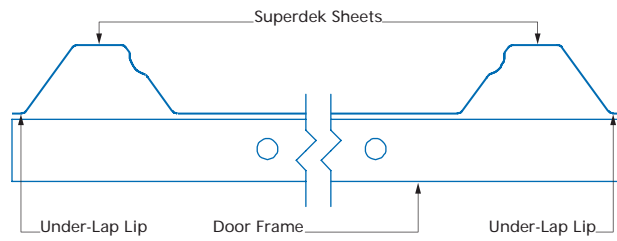


Figure 7

STEP 16

Lift the door, and stand it directly under the door track. Insert the carriage pin through the top of the door frame and secure with a nut as illustrated in figure 6. Adjust the height of the door accordingly. Ensure the door slides before footings are poured.

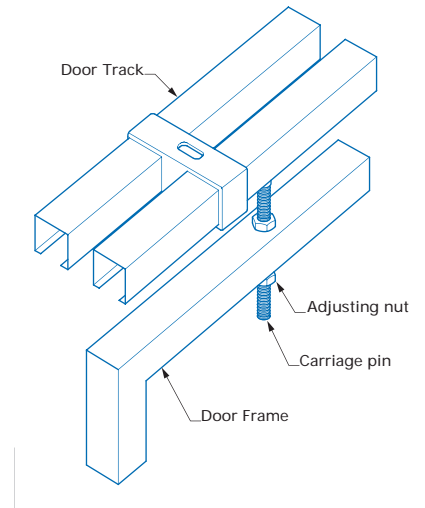


Figure 8

STEP 17

Once the footings have been poured, bolt the polycarbonate floor guides to a concrete base with four M8x65mm masonry anchors.

The central floor guides are located side by side as illustrated in figure 7.

Please refer to the Manufacturer's installation details for the sliding door lock assembly instructions.

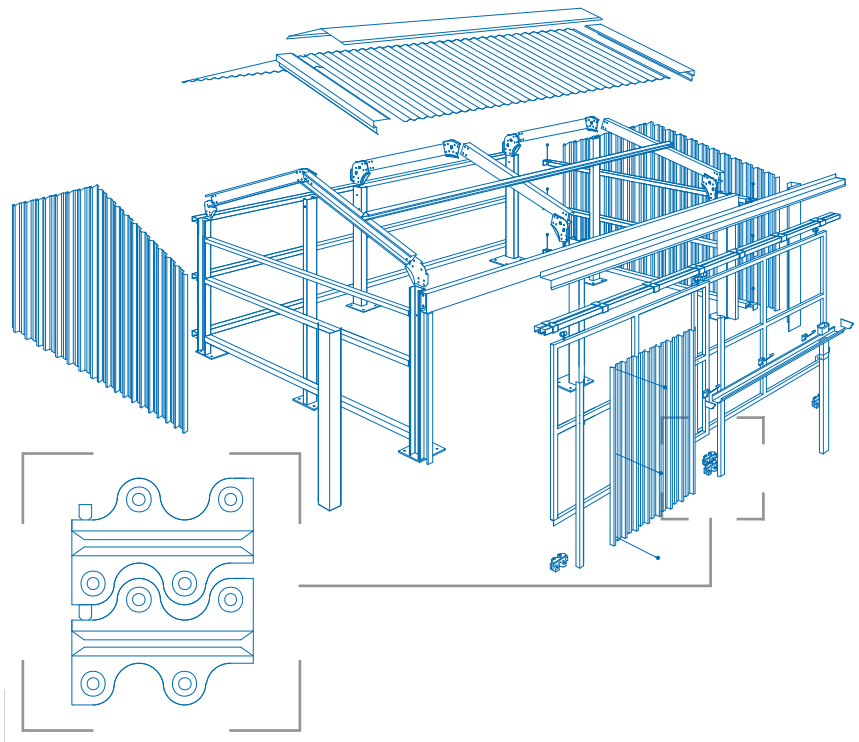


Figure 9

3 Sliding Doors

TYPE 6 - GUTTER SIDE



BEFORE YOU START

This Installation Guide is designed to give you the basic assembly techniques required to install 3 sliding doors in the gutter side of your Stratco Gable Homeshed. Please use this guide in conjunction with the main set of instructions supplied with your Stratco Gable Homeshed titled "Stratco Gable Homesheds, Framework".

STEP 1

Lay the lipped c-section columns on the ground making sure the open side of each column is facing the correct way. As a general rule, the open side of each column will face the rear of the Homeshed, except the front columns which face the front of the Homeshed.

STEP 2

Please Note: Due to onsite adjustments and variances in bay spacings, header beams will be supplied un-punched.

Fix the header beam brackets to the columns using flanged purlin bolts. Place the 150mm header beam over the header beam brackets so that the top of the header beam is in line with the top of the column as shown in Figure 4. From the inside of the beam mark the hole locations with a pencil and drill 14mm holes where required. Bolt the header beam to the header beam brackets (See figure 1 over page) using the flanged purlin bolts and nuts provided.

STEP 3

Place the wall girts across the columns, leaving an opening between the columns where the sliding doors will be positioned. Match the pre-drilled holes and fix each girt to each column with flanged purlin bolts and nuts.



STEP 4

Place the filler column on top of the front end column as illustrated in figure 1 below. Fasten the columns together using flanged bolts and nuts. For Homesheds shorter than 12.3m long, a filler column will need to be fixed to the rear end column. Similarly, fasten both columns together with flanged purlin bolts and nuts.

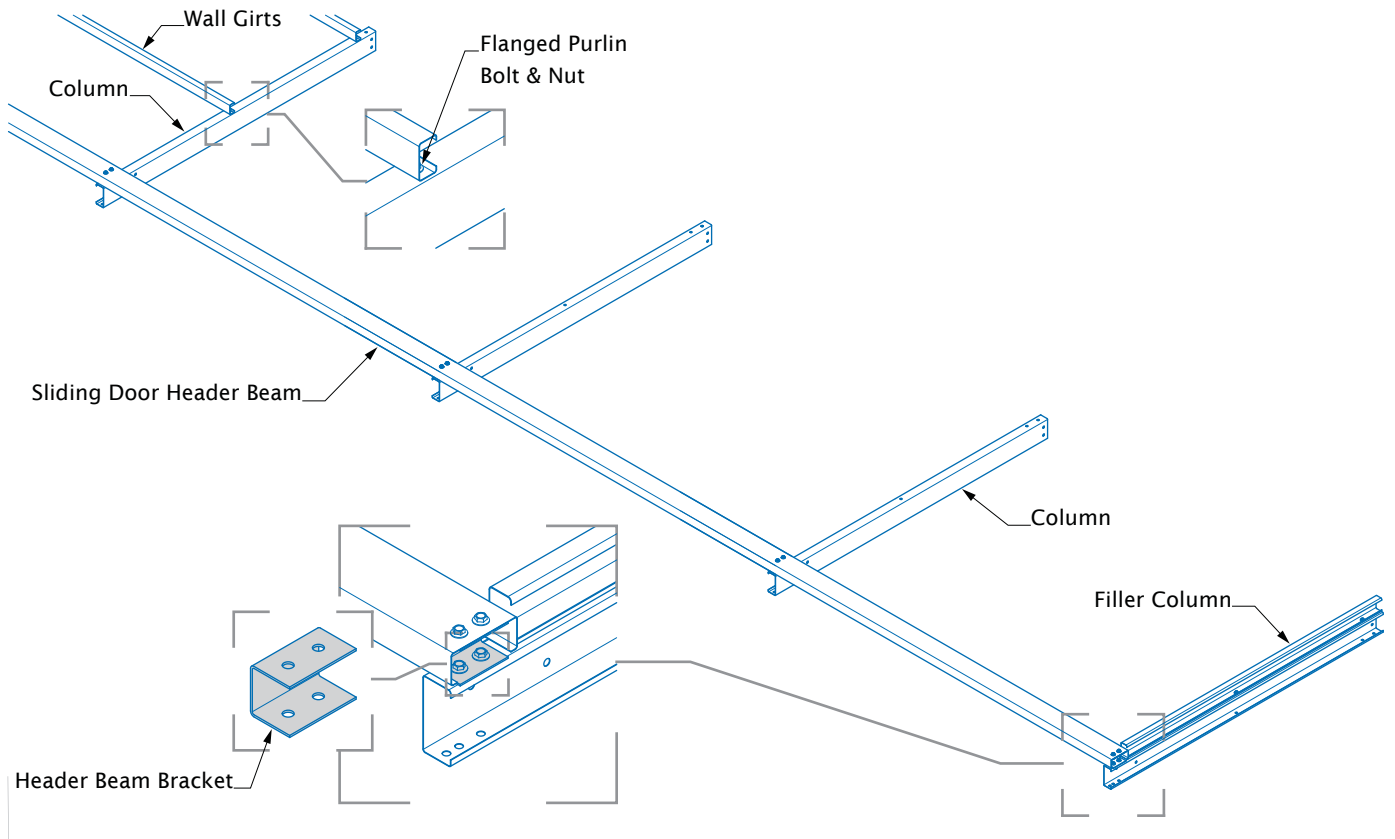


Figure 1

STEP 5

Ensure framework is square and the diagonal measurements are equal. Start sheeting from one end, ensuring the under-lap is aligned with the edge of the wall girts. Pan fix the wall sheets with 10x16mm self tapping screws at every wall sheet and girt junction. The top of each wall sheet must finish 5mm below the top of the sliding door header beam. This will prevent any rubbing between wall and roof sheets.

STEP 6

Push both sliding door tracks through the double support brackets. Space the brackets at approximately 800 mm centres as illustrated in figure 2. Slide two nylon, 4 wheel carriages into each sliding door track.

STEP 7

Drill the base of the header beam with 10mm diameter holes at 800mm centres to match the bracket spacing. Bolt the double brackets with track to the under side of the header beam with M8x20mm hex head bolts. (Figure 3)

STEP 8

Rivet the sliding door flashing to the header beam at 300 mm centres. Position the flashing above the track. (Figure 4)

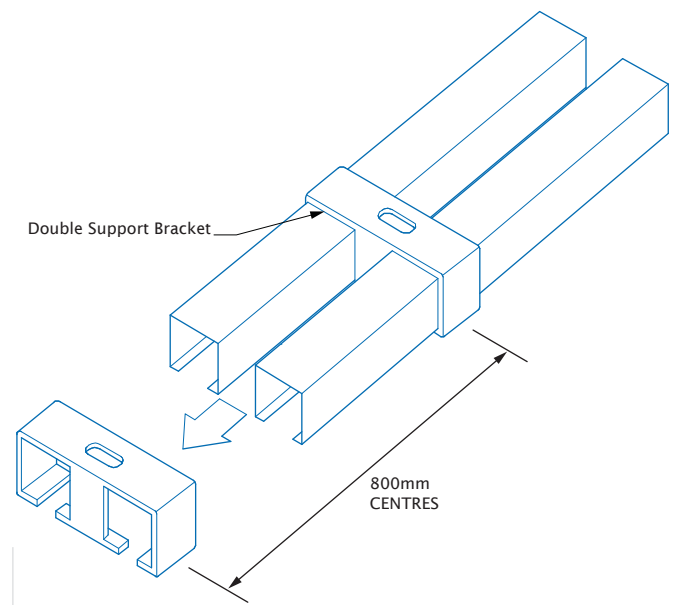


Figure 2

STEP 9

A "top hat" shaped flashing has been supplied to pack the area above the sliding door. Fix the "top hat" flashing to the header beam at 600mm centres with 10x16mm self drilling screws. This is illustrated in figure 3. Position the "top hat" flashing over the flanged purlin bolt head closest to the top of the column.

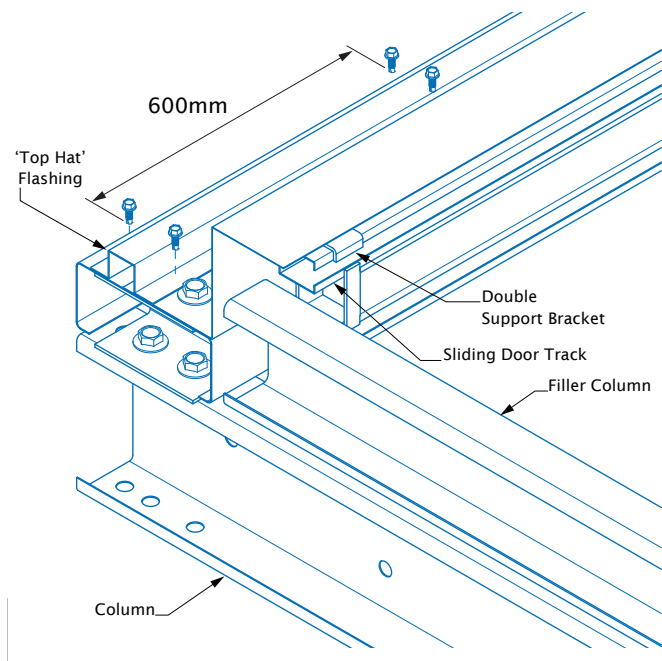


Figure 3

STEP 10

Fix the header beam packer flashing to the "top hat" flashing and header beam with rivets at approximately 300mm centres.

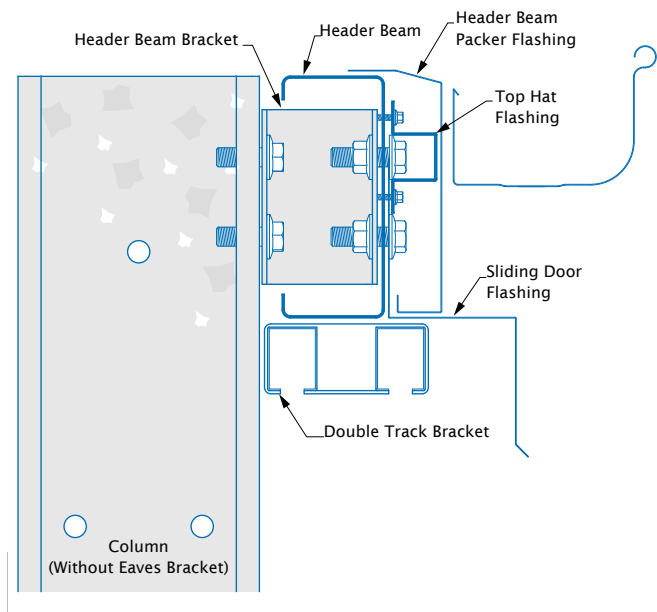


Figure 4

STEP 11

Rivet a left and right hand stop end to each length of gutter and seal with silicone.

Cut a hole for each downpipe outlet and rivet the outlet into position and again seal with silicone.

STEP 12

Fix the gutter brackets to the header beam packer flashing at approximately 1000 mm centres with rivets.

Once the gutter brackets have been installed, roll the gutter bead onto the gutter bracket and clip the back of the gutter into position.

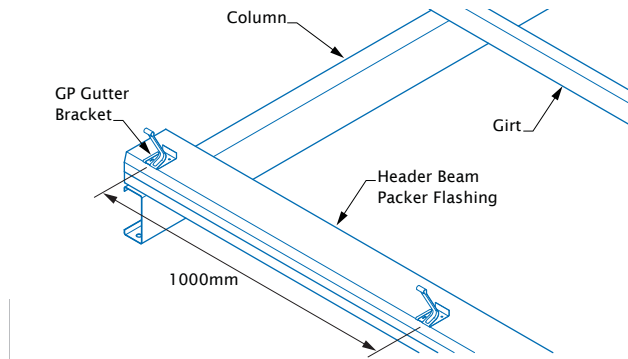


Figure 5

STEP 13

Stand the wall frame in the footing holes, and temporarily brace it with props.

STEP 14

Fix a track stop into each end of the front sliding door track.

STEP 15

Pan fix the Stratco Superdek wall sheets to the sliding door frame with 10x16mm self drilling screws.

Start from one end, ensuring the under-lap lip is aligned with the edge of the frame as illustrated in figure 5.

Rotate the final sheet, fixing the under-lap lip to the other end of the frame (figure 4).

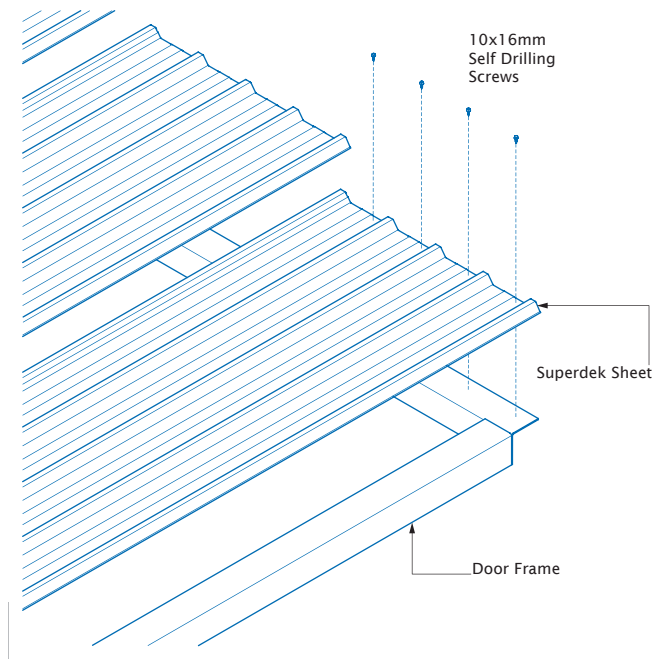
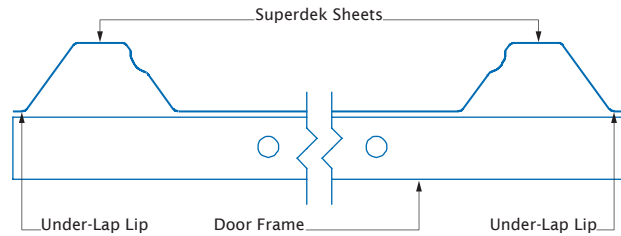


Figure 6



CONTACT

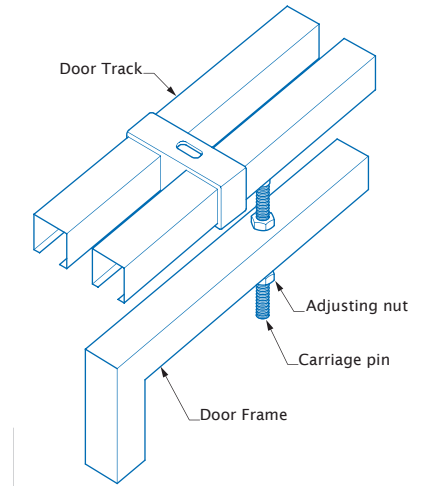
1300 165 165



: [i fY' +

GH9D'%'*

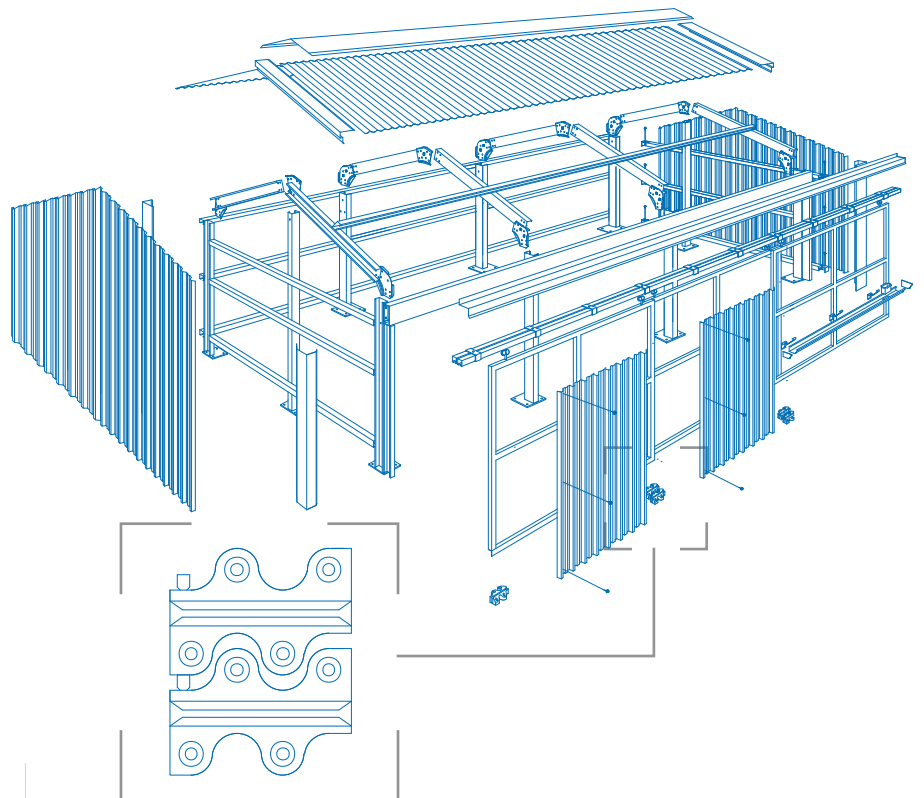
Lift the door, and stand it directly under the door track. Insert the carriage pin through the top of the door frame and secure with a nut as illustrated in figure 6. Adjust the height of the door accordingly. Ensure the door slides before footings are poured.



: [i fY',

GH9D'%'†

Once the footings have been poured, bolt the polycarbonate floor guides to a concrete base with four M8x65mm masonry anchors. The central floor guides are located side by side as illustrated in figure 7. Please refer to the Manufacturer's installation details for the sliding door lock assembly instructions.



: [i fY' -

4 Sliding Doors

TYPE 7 - GUTTER SIDE



BEFORE YOU START

This Installation Guide is designed to give you the basic assembly techniques required to install 4 sliding doors in the gutter side of your Stratco Gable Homeshed. Please use this guide in conjunction with the main set of instructions supplied with your Stratco Gable Homeshed titled "Stratco Gable Homesheds, Framework".

STEP 1

Lay the lipped c-section columns on the ground making sure the open side of each column is facing the correct way. As a general rule, the open side of each column will face the rear of the Homeshed, except the front columns which face the front of the Homeshed.

STEP 2

Please Note: Due to onsite adjustments and variances in bay spacings, header beams will be supplied un-punched.

Fix the header beam brackets to the columns using flanged purlin bolts. Place the 150mm header beam over the header beam brackets so that the top of the header beam is in line with the top of the column as shown in Figure 4. From the inside of the beam mark the hole locations with a pencil and drill 14mm holes where required. Bolt the header beam to the header beam brackets (See figure 1 over page) using the flanged purlin bolts and nuts provided.

STEP 3

Place the filler column on top of the front and rear end columns as illustrated in figure 1 on the next page. Match the pre-drilled holes and fix each girt to each column with flanged purlin bolts and nuts.



STEP 4

Place the filler column on top of the front end column as illustrated in figure 1 below. Fasten the columns together using flanged bolts and nuts. For Homesheds shorter than 12.3m long, a filler column will need to be fixed to the rear end column. Similarly, fasten both columns together with flanged purlin bolts and nuts.

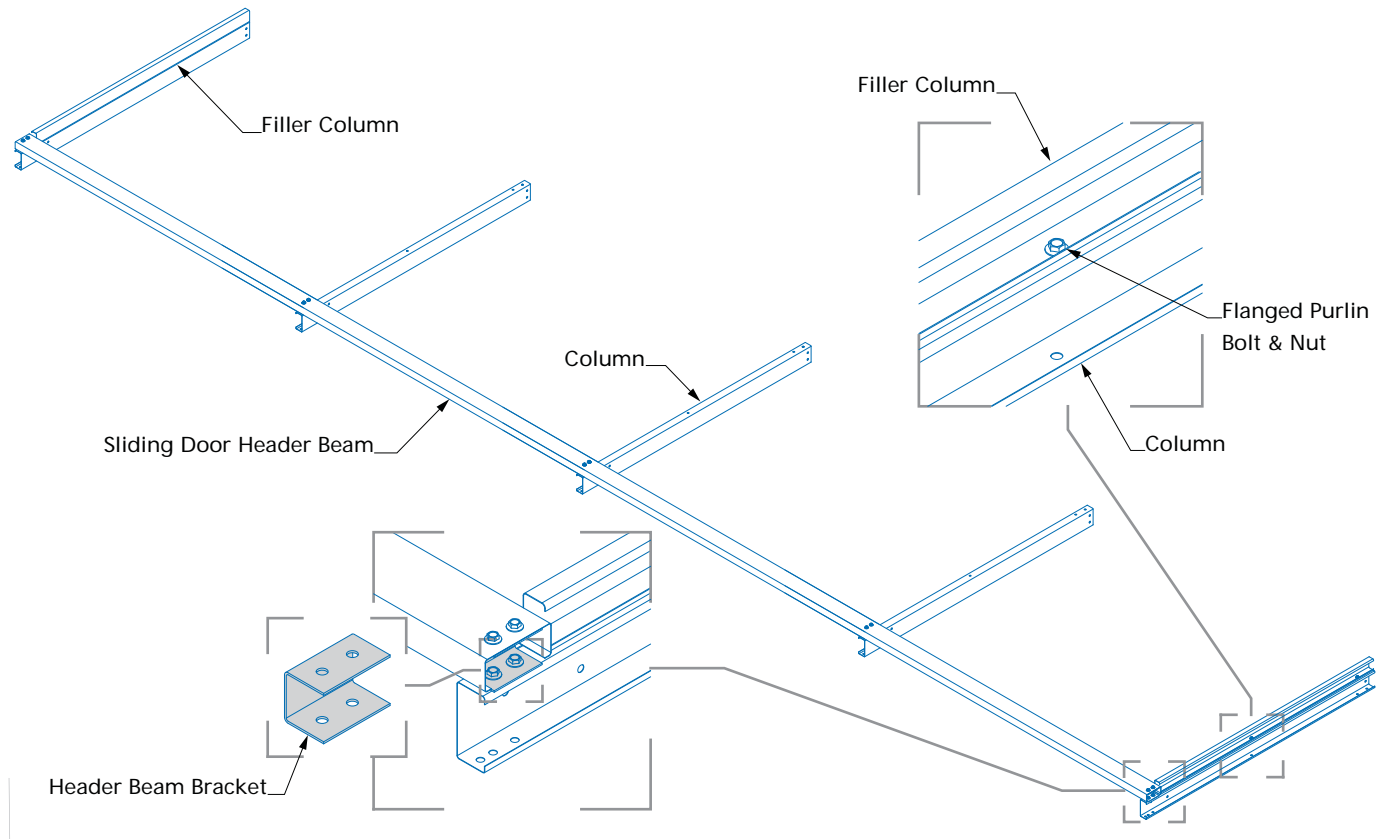


Figure 1

STEP 5

Push both sliding door tracks through the double support brackets. Space the brackets at approximately 800 mm centres as illustrated in figure 2. Slide two nylon, 4 wheel carriages into each sliding door track.

STEP 6

Drill the base of the header beam with 10mm diameter holes at 800mm centres to match the bracket spacing. Bolt the double brackets with track to the under side of the header beam with M8x20mm hex head bolts. (Figure 3)

STEP 7

Rivet the sliding door flashing to the header beam at 300 mm centres. Position the flashing above the track. (Figure 4)

STEP 8

A "top hat" shaped flashing has been supplied to pack the area above the sliding door. Fix the "top hat" flashing to the header

beam at 600mm centres with 10x16mm self drilling screws. This is illustrated in figure 3. Position the "top hat" flashing over the flanged purlin bolt head closest to the top of the column.

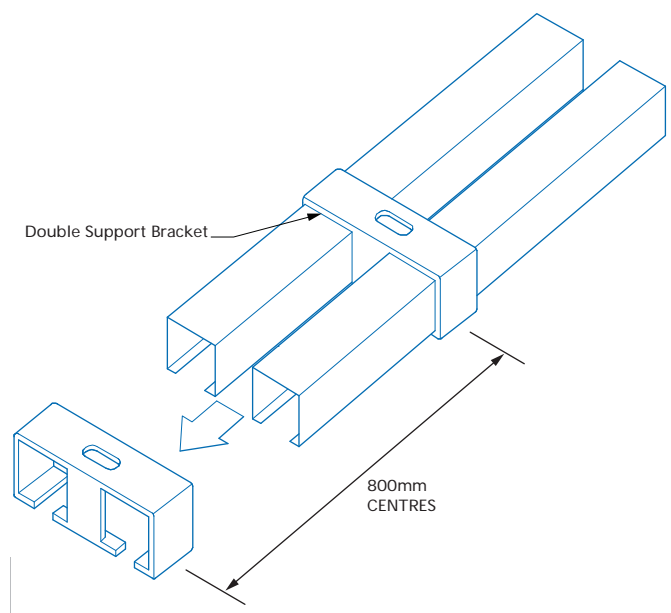


Figure 2

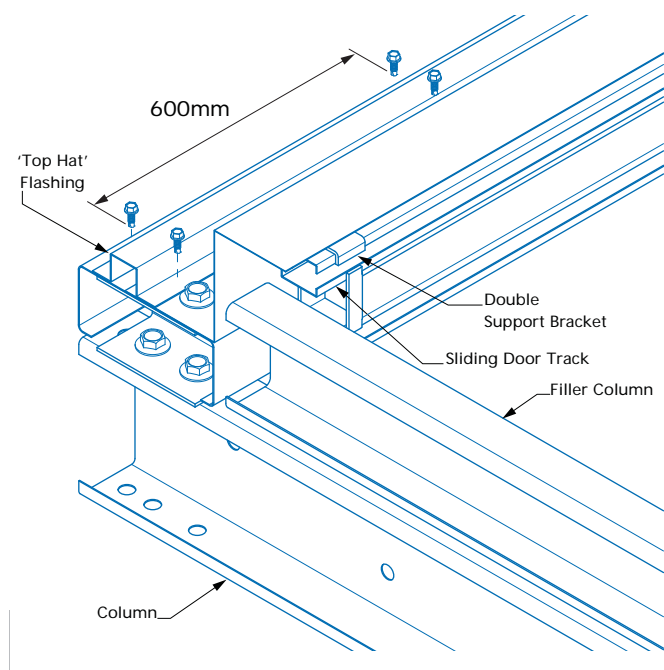


Figure 3

STEP 9

Fix the header beam packer flashing to the “top hat” flashing and header beam with rivets at approximately 300mm centres.

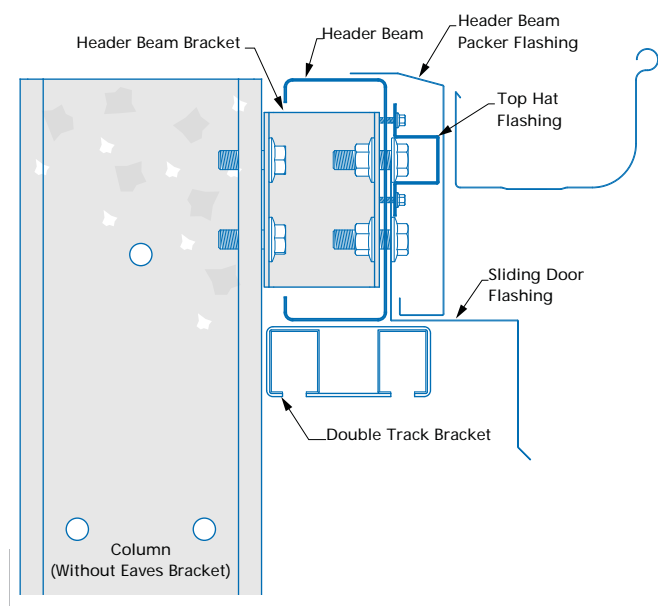


Figure 4

STEP 10

Rivet a left and right hand stop end to each length of gutter and seal with silicone.

Cut a hole for each downpipe outlet and rivet the outlet into position and again seal with silicone.

STEP 11

Fix the gutter brackets to the header beam packer flashing at

approximately 1000 mm centres with rivets.

Once the gutter brackets have been installed, roll the gutter bead onto the gutter bracket and clip the back of the gutter into position.

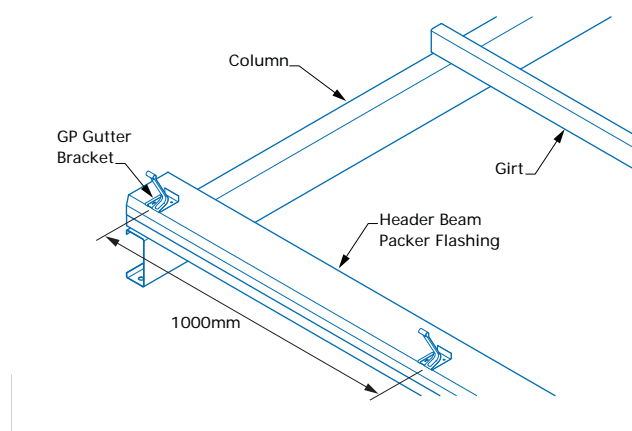


Figure 5

STEP 12

Stand the wall frame in the footing holes, and temporarily brace it with props.

STEP 13

Fix a track stop into each end of the front sliding door track.

STEP 14

Pan fix the Stratco Superdek wall sheets to the sliding door frame with 10x16mm self drilling screws.

Start from one end, ensuring the under-lap lip is aligned with the edge of the frame as illustrated in figure 5.

Rotate the final sheet, fixing the under-lap lip to the other end of the frame (figure 4).

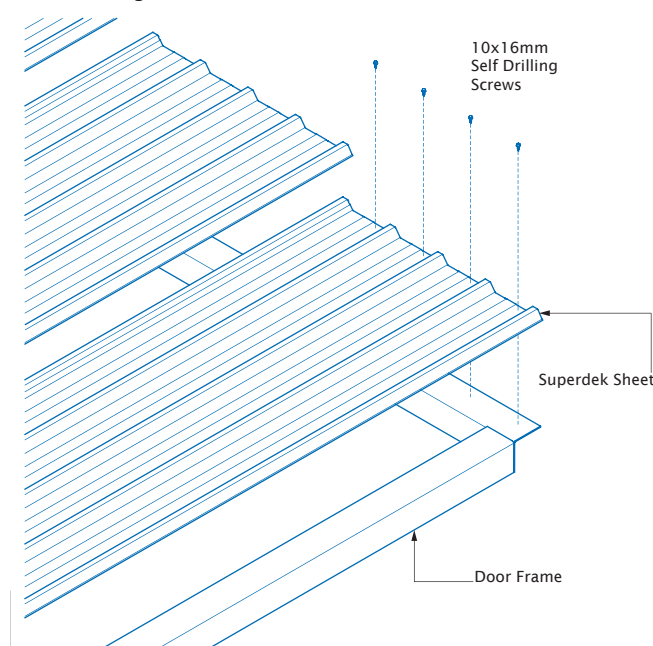


Figure 6

CONTACT

1300 165 165

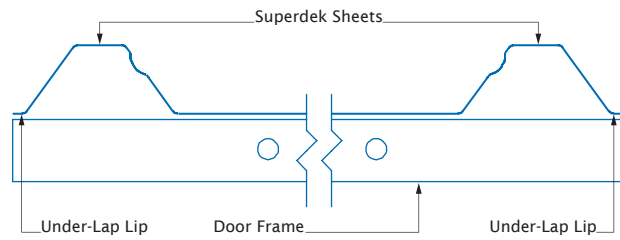


Figure 7

STEP 15

Lift the door, and stand it directly under the door track. Insert the carriage pin through the top of the door frame and secure with a nut as illustrated in figure 6.

Adjust the height of the door accordingly. Ensure the door slides before footings are poured.

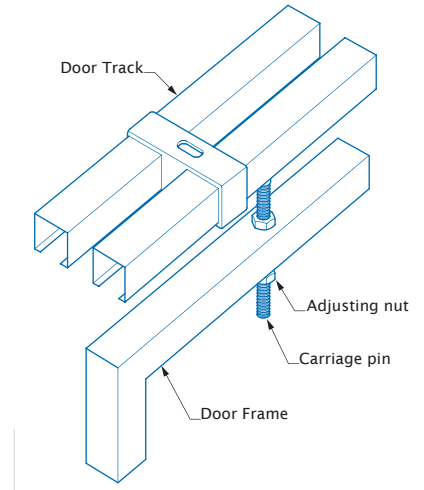


Figure 8

STEP 16

Once the footings have been poured, bolt the polycarbonate floor guides to a concrete base with four M8x65mm masonry anchors.

The central floor guides are located side by side as illustrated in figure 7.

Please refer to the Manufacturer's installation details for the sliding door lock assembly instructions.

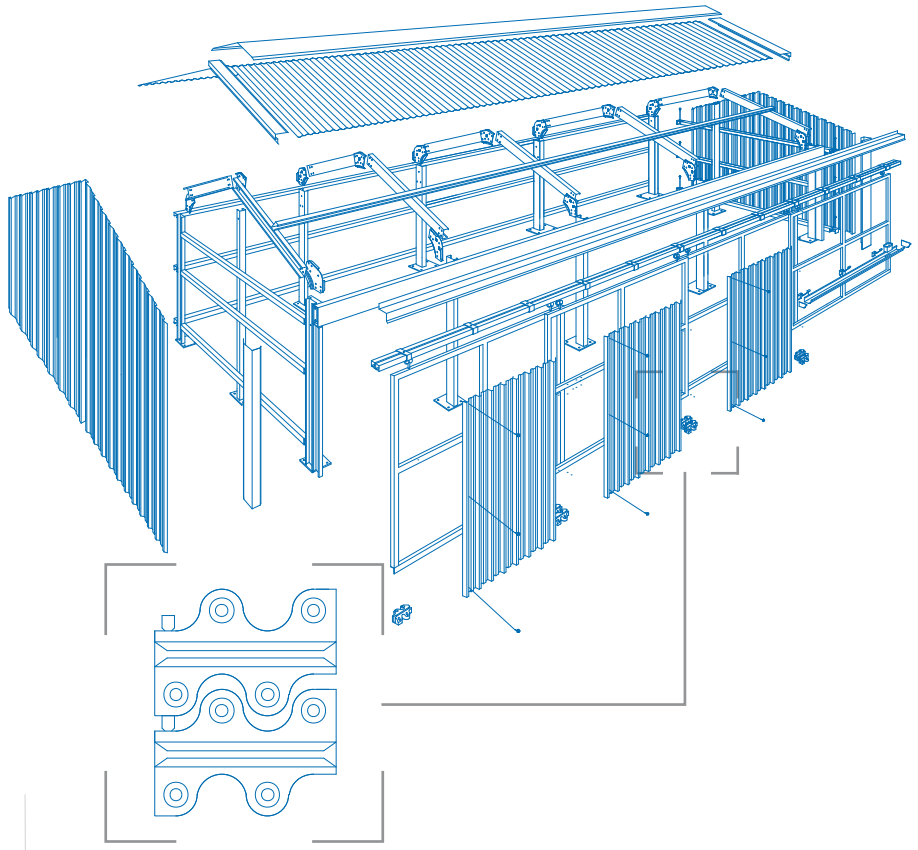


Figure 9