



BEFORE YOU START

- To ensure the installation and erection of your Stratco Handi-Saver Shed proceeds smoothly, you should confirm that all the components and materials listed in this installation guide have been supplied.
- Carefully read this installation guide to familiarise yourself with all the steps involved and ensure that you have the correct tools and equipment for the job.
- There are different types of screws used. Ensure the correct type of screw is being used at each location.
- Do not traverse the roof of the Stratco Handi-Saver Shed.
- Use heavy gloves and safety glasses when handling steel and never attempt to install a shed in windy conditions.

FLOORING PREPARATION

The installer is responsible for ensuring the slab or concrete pads are sufficient to support the shed and sustain wind loading. Do not directly anchor your shed to pavers.

Option 1 - Before building the shed, pour a base that is larger than the area by at least 200mm in each direction. The base should be poured so the concrete outside the shed floor area slopes away from the shed to help prevent water from entering the shed.

Option 2 - Substantial concrete pads may be used at each anchor location as an alternative to a complete concrete floor. It is recommended pads are minimum Ø250mm x 400mm deep, embedded into a firm natural soil base.

TOOLS AND HARDWARE REQUIRED

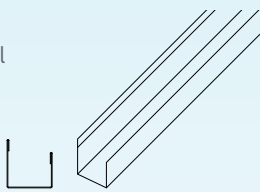
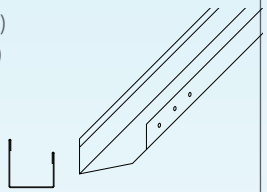
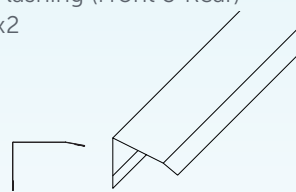
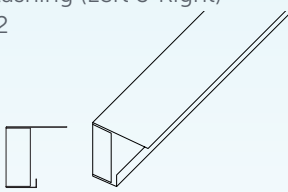
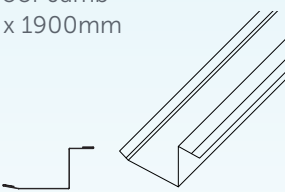

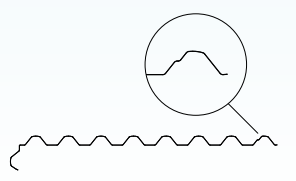
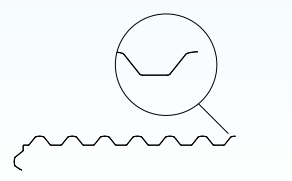
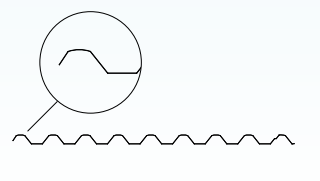
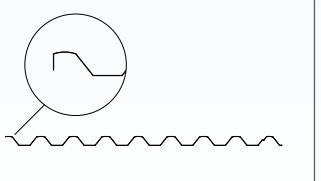


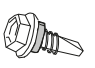
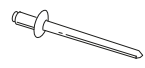
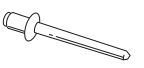
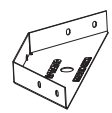
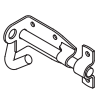
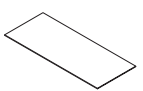
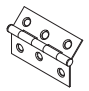
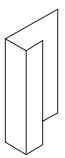
- Cordless Drill
- 5/16 Hex-head & PH2 Phillips-head Bit
- 3.5mm & 5mm Steel Drill Bit
- 10mm Masonry Drill Bit
- Adjustable Spanner
- Tin Snips (Optional)
- Rivet Gun
- Tape Measure
- Ladder/ Step Ladder
- Trestles/ Table
- Safety Gloves
- Safety Glasses

HANDI-SAVER® SHED

HANDI SAVER SHED INSTALLATION GUIDE

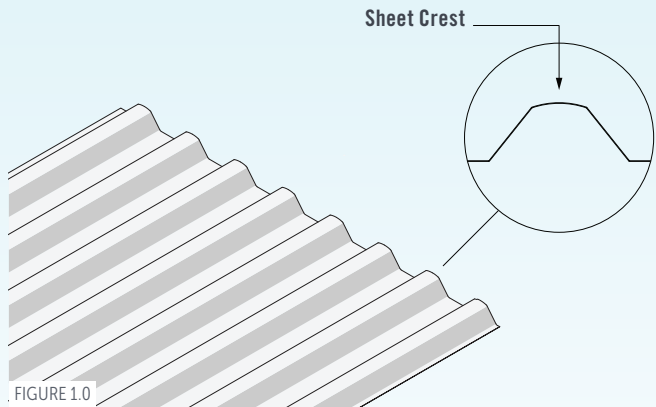
HANDI-SAVER INSTALLATION GUIDE

COMPONENTS

<p>Door Frame & Door Shroud 2 x 1840mm Door Frame Vertical 2 x 750mm Door Frame Horizontal 1 x 760mm Door Shroud</p> 	<p>Wall Channel 4 x 700mm Wall Channel (Short) 4 x 1400mm Wall Channel (Long)</p> 			
<p>Flashing (Front & Rear) x2</p> 	<p>Flashing (Left & Right) x2</p> 	<p>Door Jamb 2 x 1900mm</p> 	<p>Door Brace 1 x 750mm Door Brace (Short) 2 x 1145mm Door Brace (Long)</p> 	
<p>Standard Corner Sheet 3 x 1900mm</p> 	<p>Split Front Corner Sheet 1 x 1900mm</p> 	<p>Wall Sheet - 1 x 1900mm Roof Sheet - 1 x 1500mm</p> 	<p>Door Sheet 1 x 1840mm</p> 	
<p>10x16mm Wafer-Head Screw x20</p> 	<p>10x16mm Hex-Head Screw x75</p> 	<p>10x16mm Hex-Head Screw with Washer x26</p> 	<p>3.2mm Rivet x20</p> 	<p>4.8mm Rivet x12</p> 
<p>Corner Bracket x8</p> 	<p>Padbolt & Latch x1</p> 	<p>Padbolt Mount Plate x1</p> 	<p>Hinge x 2</p> 	<p>Door Jamb Bracket x 3</p> 

SHORT WALL ASSEMBLY

Note: The 'Sheet Crest', as referenced throughout this guide, refers to the curved top faces of the sheet.



Fit two Wall Channels (Short) over the ends of a Standard Corner Sheet.

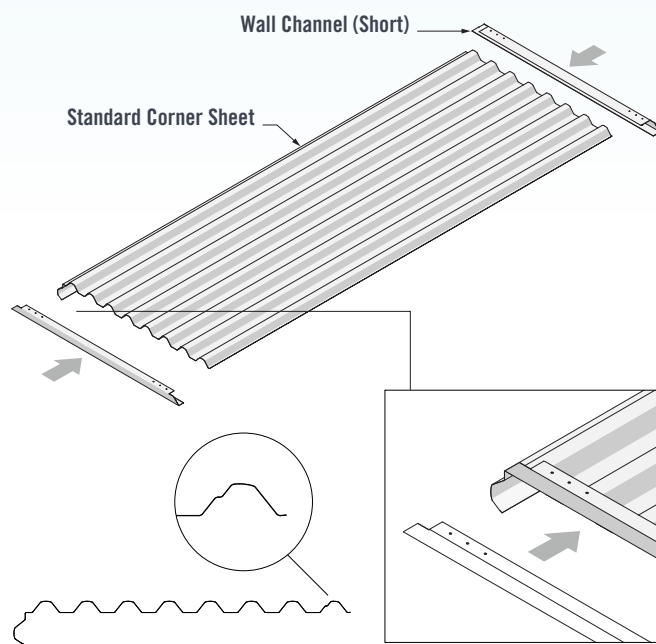


FIGURE 1.1

Fasten the two Wall Channels (Short) to the Standard Corner Sheet using three 10x16 Hex-Head Screws in each Wall Channel. Ensure the Screws are fastened into the centre of the Sheet crests.

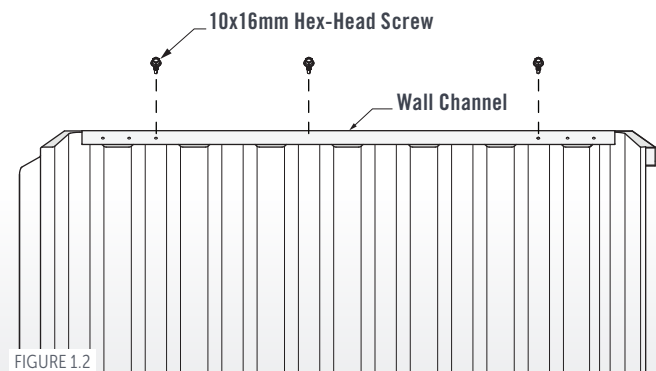


FIGURE 1.2

Wall Channels have three pilot holes in each end. Fasten through the pilot holes of each end first, then fasten the middle screws secondly.

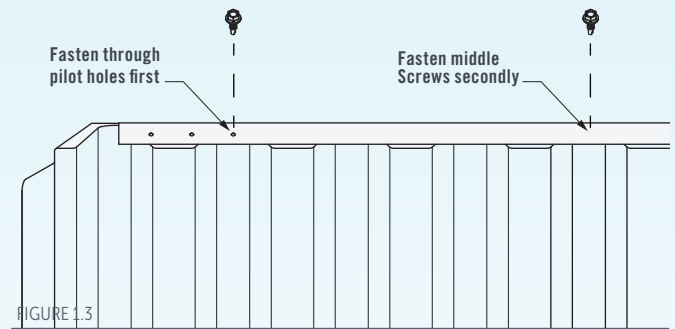


FIGURE 1.3

Repeat these steps (Figure 1.0 - 1.3) to assemble another Short Wall.

LONG WALL ASSEMBLY

Fit two Wall Channels (Long) over the ends of a Standard Corner Sheet and Wall Sheet.

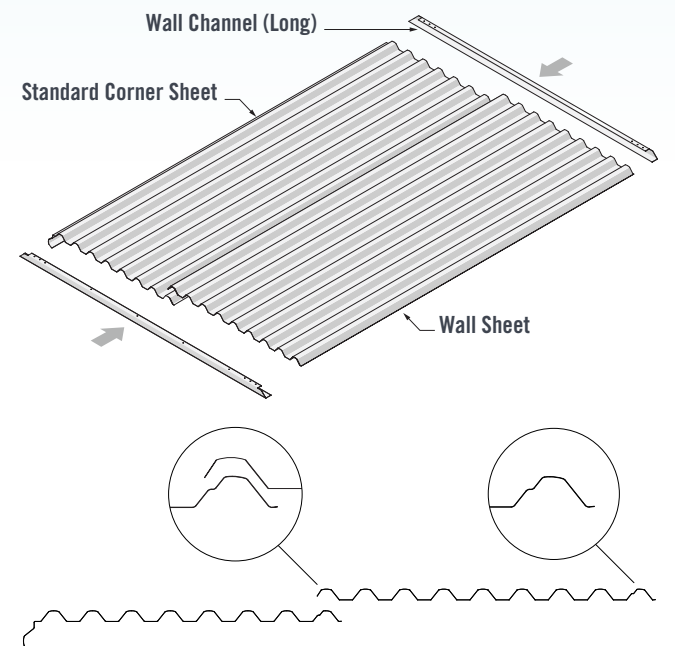


FIGURE 2.0

Fasten the two Wall Channels (Long) to the Standard Corner Sheet and Wall Sheet using six 10x16 Hex-Head Screws in each Wall Channel. Ensure the Screws are fastened into the centre of the Sheet crests.

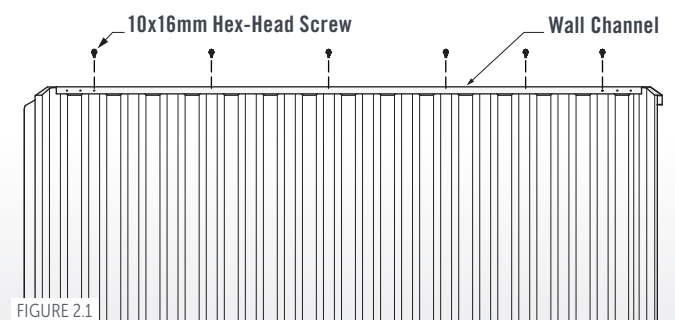


FIGURE 2.1

FRONT WALL ASSEMBLY

Fit two Wall Channels (Long) over the ends of the Split Front Corner Sheet.

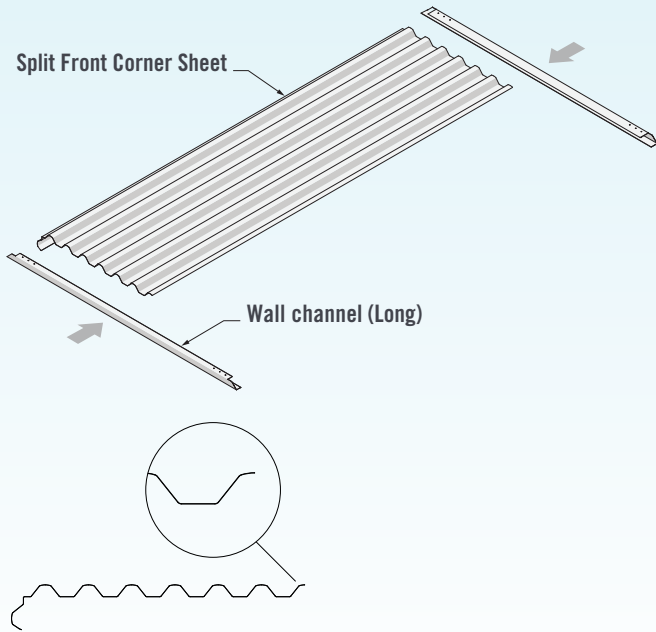


FIGURE 3.0

Fasten the two Wall Channels (Long) to the Split Front Corner Sheet using two 10x16 Hex-Head Screws in each Wall Channel. Ensure the Screws are fastened into the centre of the Sheet crests.

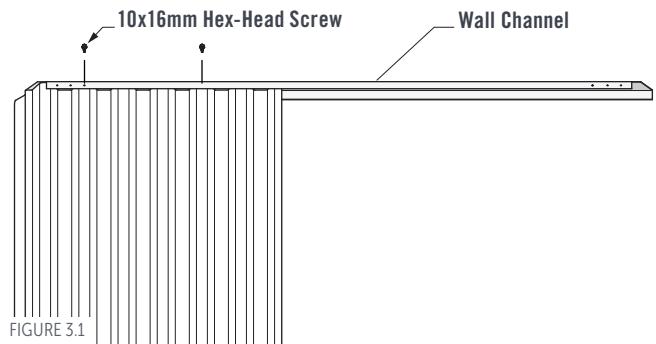


FIGURE 3.1

Fit the Door Jamb into the Wall Channels and over the end of the Split Front Corner Sheet.

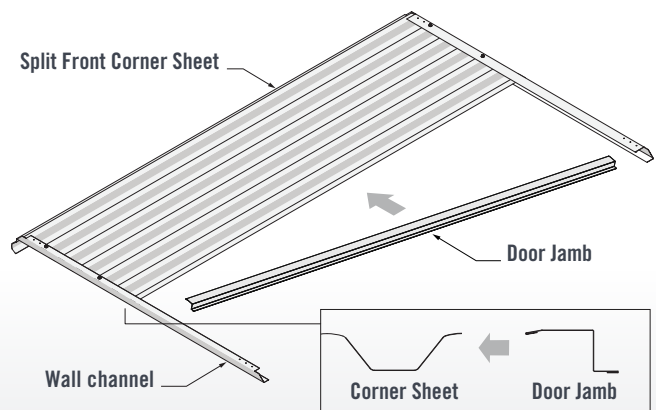


FIGURE 3.2

Ensuring the Door Jamb is up against the Corner Sheet, fasten a 10x16 Hex-Head Screw through the Wall Channels (Long) and into the Door Jamb at both ends.

Slide the second Door Jamb into the end of the Wall Channels. Do not fasten the second Door Jamb yet.

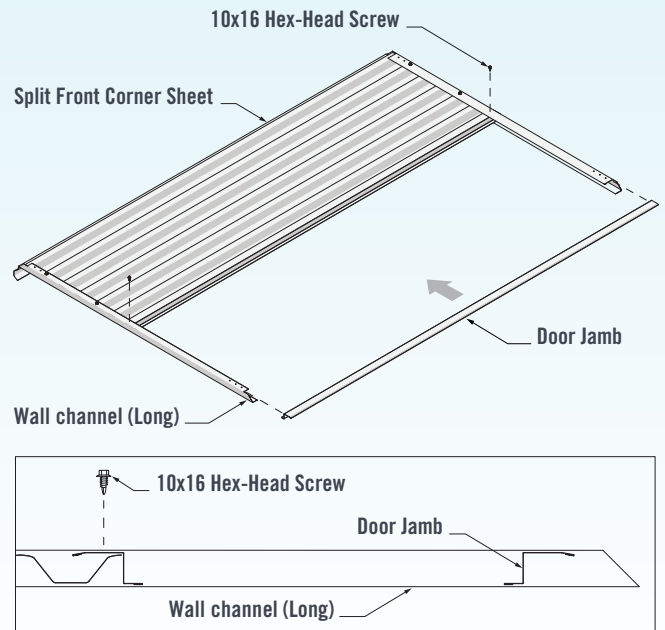


FIGURE 3.3

JOINING WALL ASSEMBLIES

Fit the corner end of the Long Wall Assembly over the lap end of a Short Wall Assembly. Ensure the Corner Sheet is tucked inside the top and bottom Wall Channels.

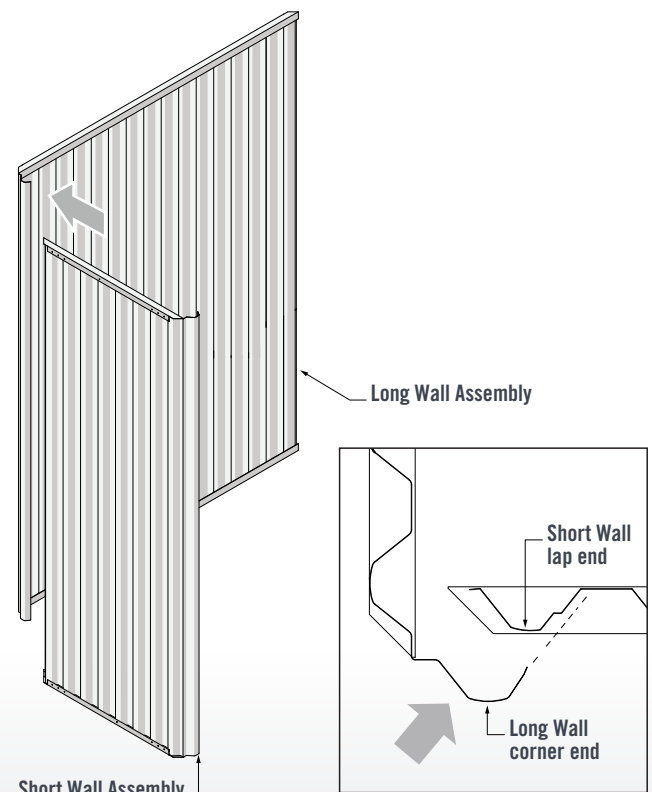


FIGURE 4.0

At the corner where the Wall Assemblies fit together, fit a Corner Bracket. The Corner Bracket fits over the Wall Channels at the top.

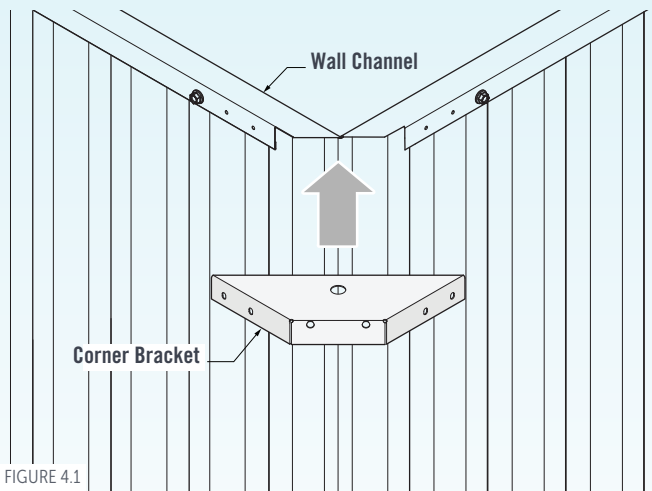


FIGURE 4.1

Fasten the Corner Bracket to the Wall Channels through the pilot holes using four 10x16 Hex-Head Screws.

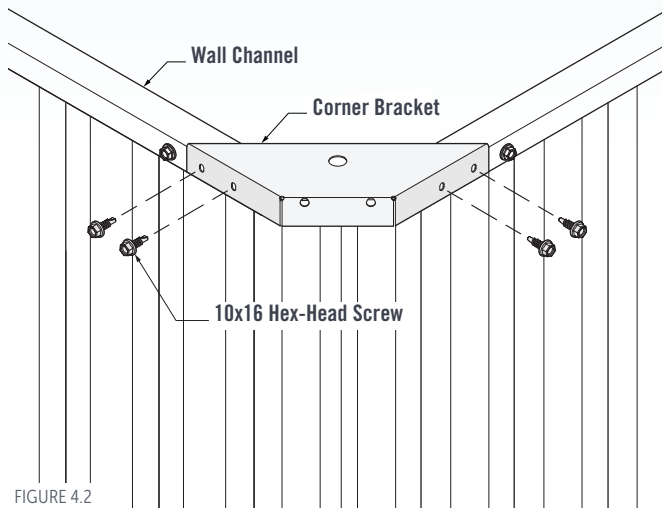


FIGURE 4.2

Fit a Corner Bracket over the Wall Channels at the bottom corner. Fasten the Corner Bracket to the Wall Channels through the pilot holes using four 10x16 Hex-Head Screws.

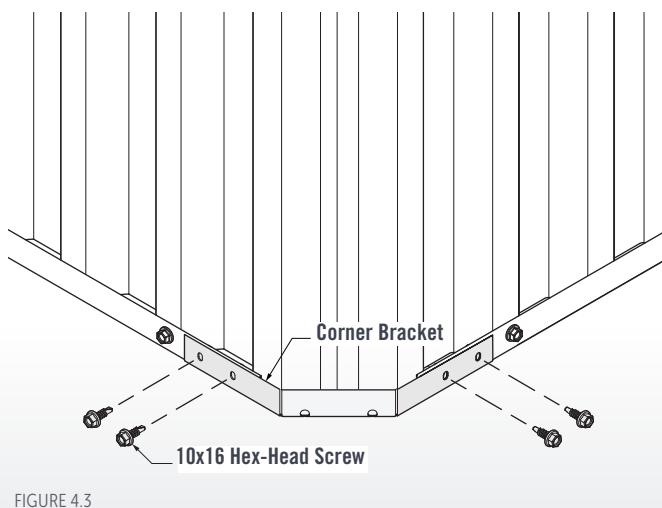


FIGURE 4.3

Fit the corner end of the Short Wall Assembly over the lap end of the Long Wall Assembly.

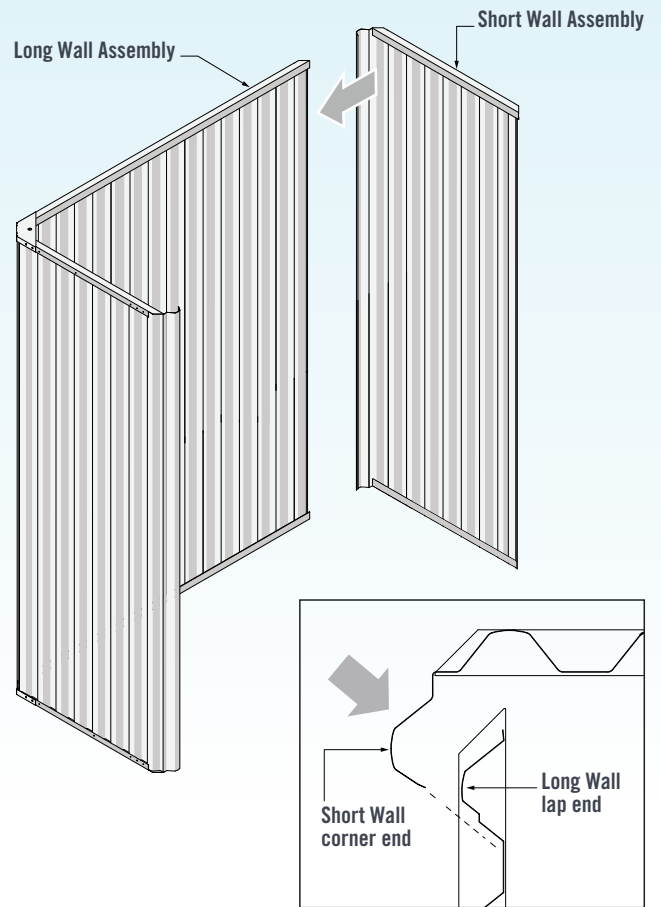


FIGURE 4.4

Fit a Corner Bracket over the Wall Channels at the top corner. Fasten the Corner Bracket to the Wall Channels through the pilot holes using four 10x16 Hex-Head Screws.

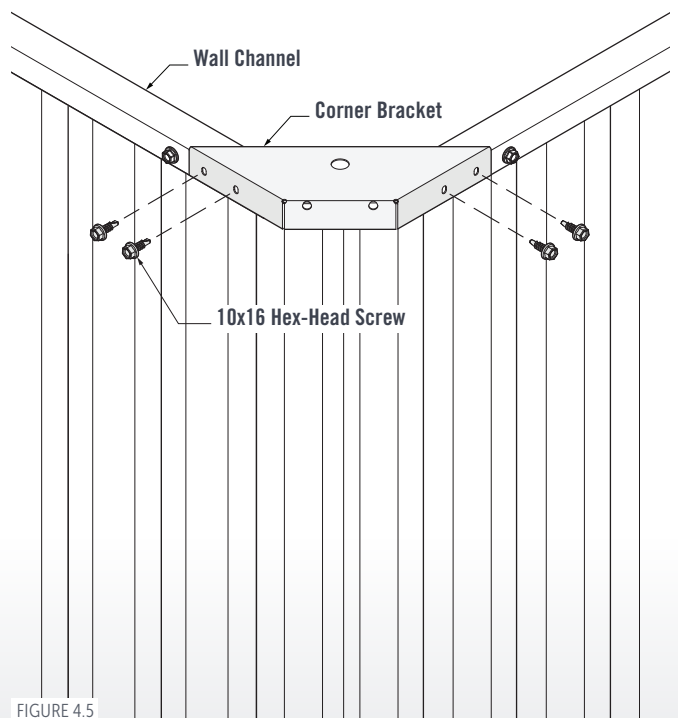


FIGURE 4.5

HANDI-SAVER INSTALLATION GUIDE

Fit a Corner Bracket over the Wall Channels at the bottom corner. Fasten the Corner Bracket to the Wall Channels through the pilot holes using four 10x16 Hex-Head Screws.

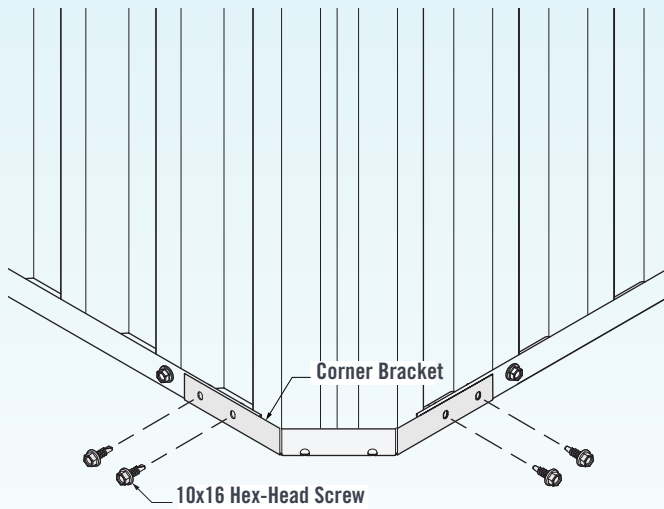


FIGURE 4.6

Fit the corner end of the Front Wall Assembly over the lap end of the Short Wall Assembly.

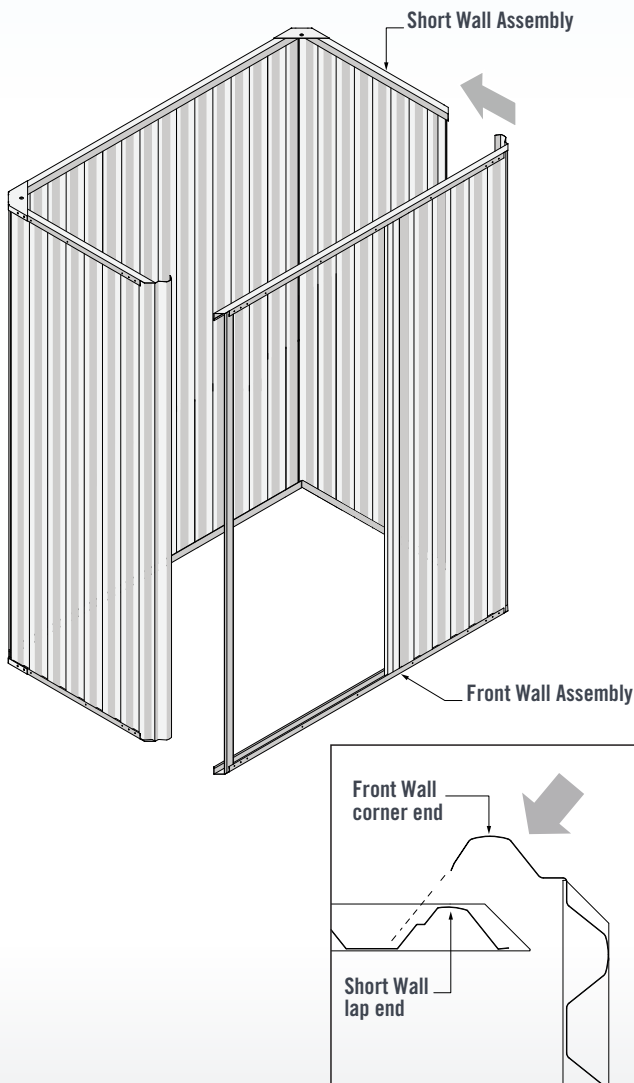


FIGURE 4.7

Fit a Corner Bracket over the Wall Channels at the top corner. Fasten the Corner Bracket to the Wall Channels through the pilot holes using four 10x16 Hex-Head Screws.

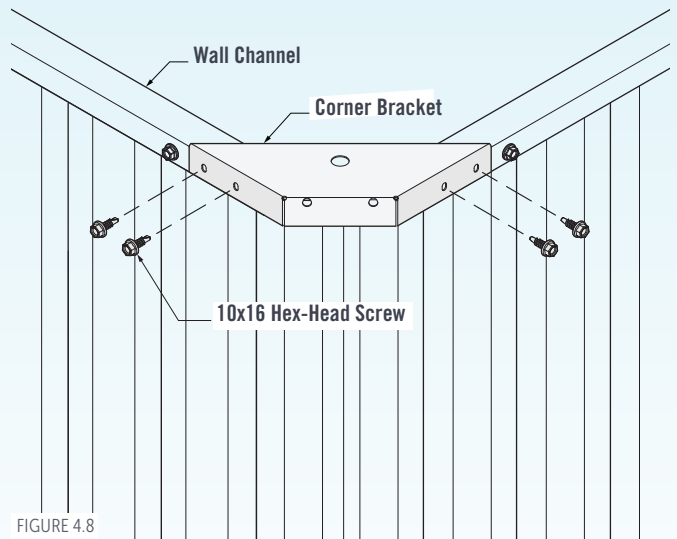


FIGURE 4.8

Fit a Corner Bracket over the Wall Channels at the bottom corner. Fasten the Corner Bracket to the Wall Channels through the pilot holes using four 10x16 Hex-Head Screws.

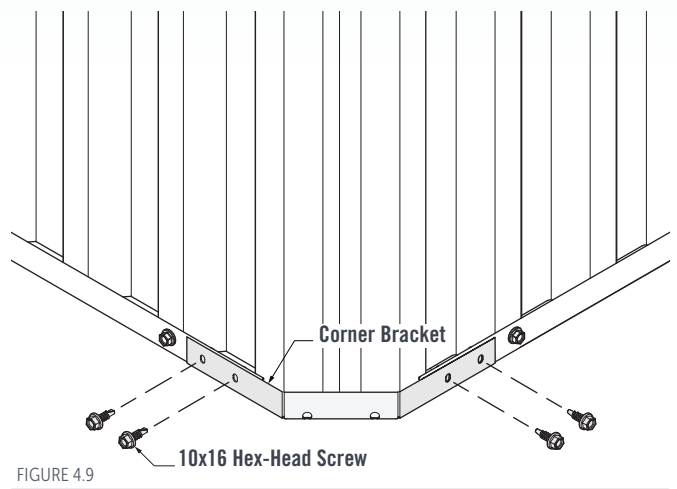


FIGURE 4.9

Fit the corner end of the Short Wall Assembly into the Door Jamb of the Front Wall Assembly.

Ensure there is approximately a 765mm gap between the Door Jamb (Figure 4.10).

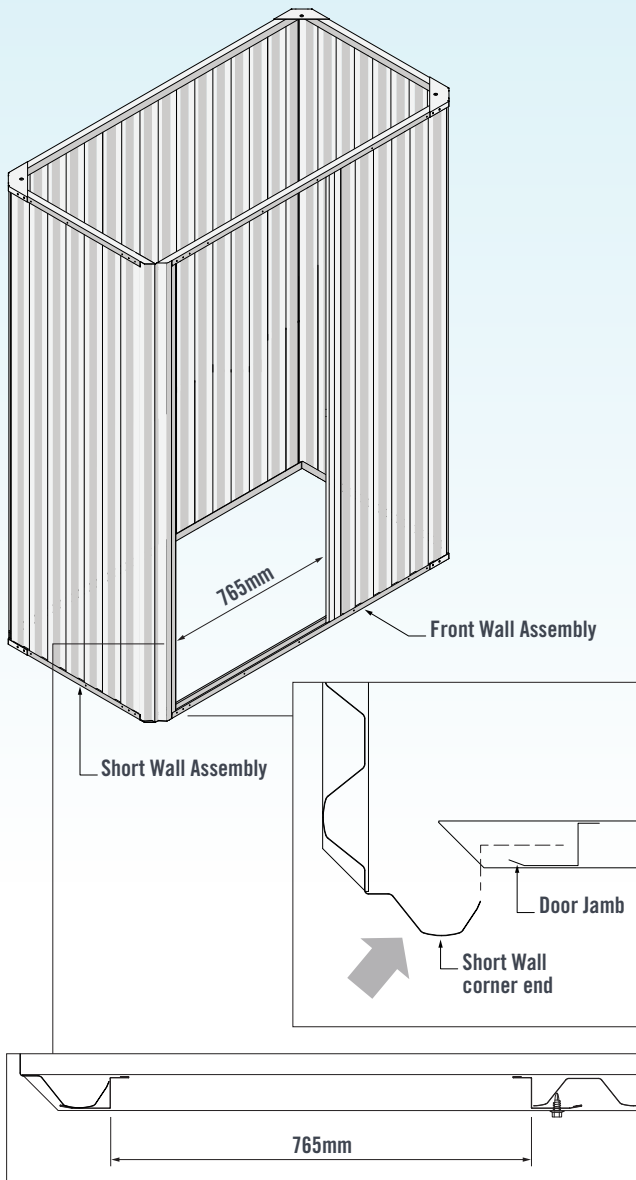


FIGURE 4.10

Fit a Corner Bracket over the Wall Channels at the top corner. Fasten the Corner Bracket to the Wall Channels through the pilot holes using four 10x16 Hex-Head Screws. Note: do not fasten into the Door Jamb.

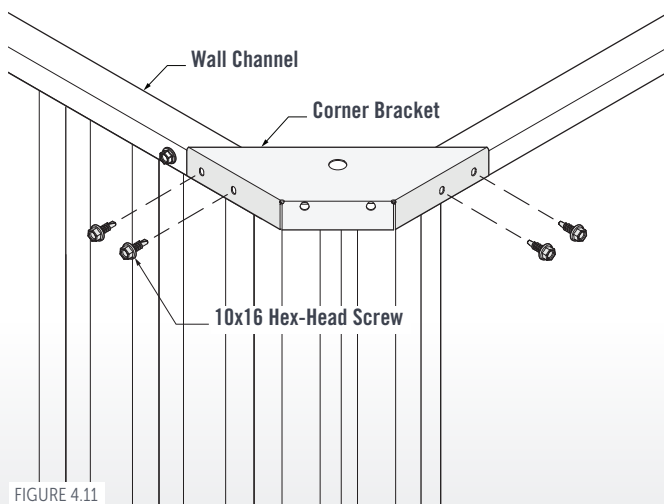


FIGURE 4.11

Fit a Corner Bracket over the Wall Channels at the bottom corner. Fasten the Corner Bracket to the Wall Channel (Short) through the pilot holes using two 10x16 Hex-Head Screws.

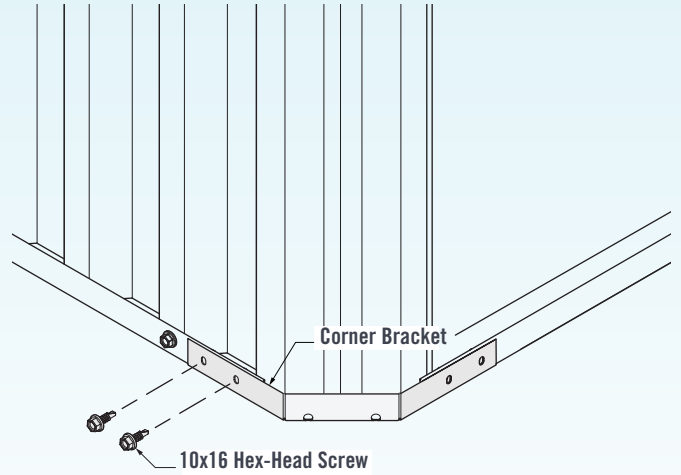
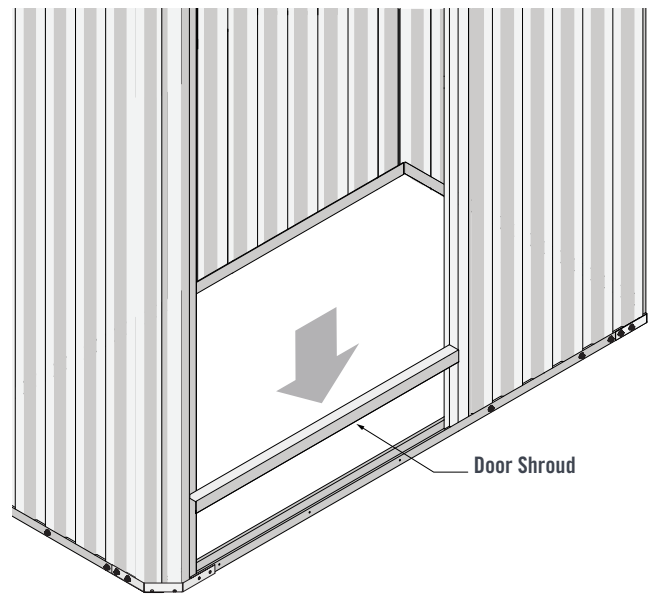


FIGURE 4.12

Fit the Door Shroud into the door opening. The Door Shroud fits over the bottom Wall Channel (Long).

Optional Step: it is recommended to use Tin Snips to notch the ends of the Door Shroud. This is to ensure the Door Shroud ends fit up against the Door Jambs without any gaps.



Optional Step

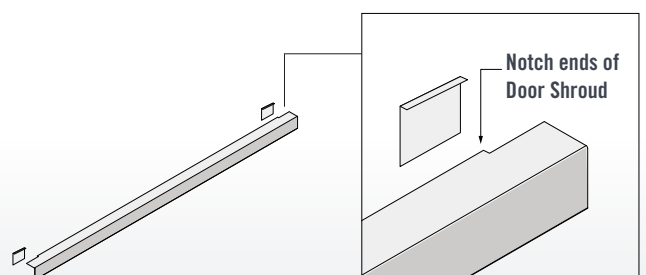


FIGURE 4.13

DOOR ASSEMBLY

Fit the Horizontal and Vertical Door Frames over the Door Sheet. Ensure the short side of the Door Frames are facing up. Fasten one 10x16 Hex-Head Screw through the Door Frames at all four corners.

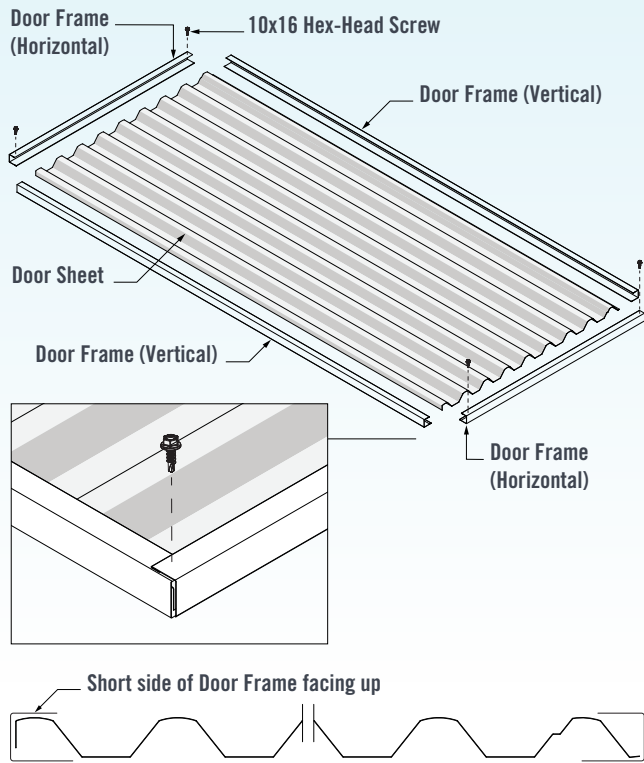


FIGURE 5.0

Fasten two 10x16 Hex-Head Screws through every second Sheet Crest at both ends.

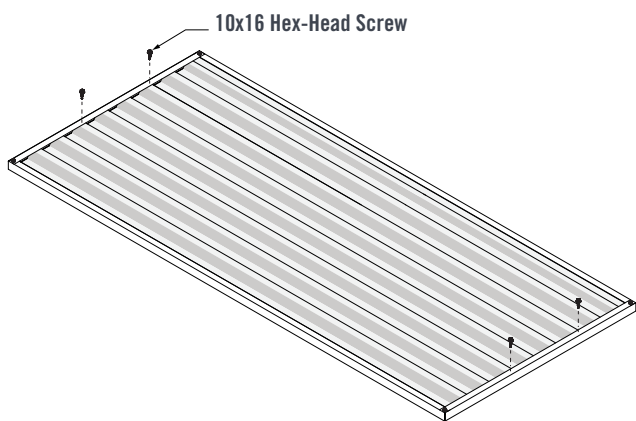


FIGURE 5.1

Turn the door over so that the underside is facing up. Loosely fit the three Door Braces into the Door Assembly. The Door Brace ends fit inside the Door Frames.

Fasten a 10x16 Wafer-Head Screw through the Door Frames at all four corners.

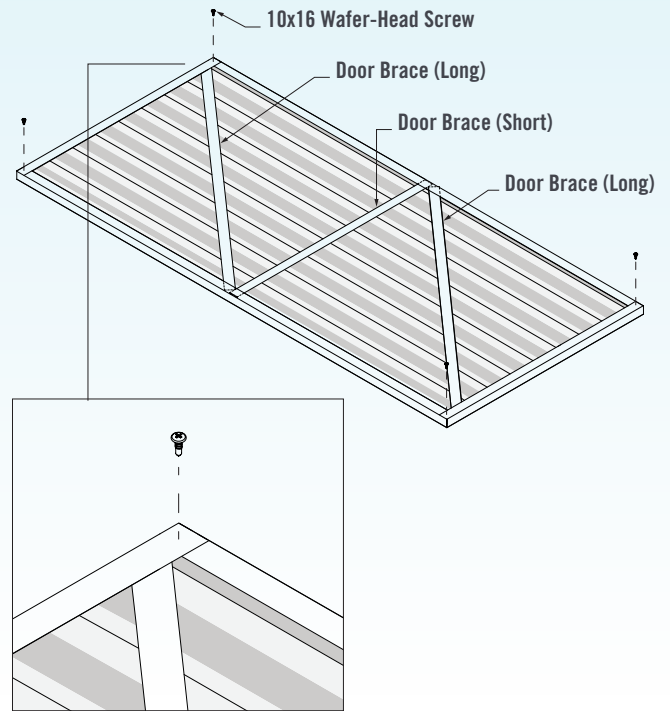


FIGURE 5.2

Fasten a 10x16 Wafer-Head Screw through the Door Frames and into the Door Brace ends for all three Door Braces.

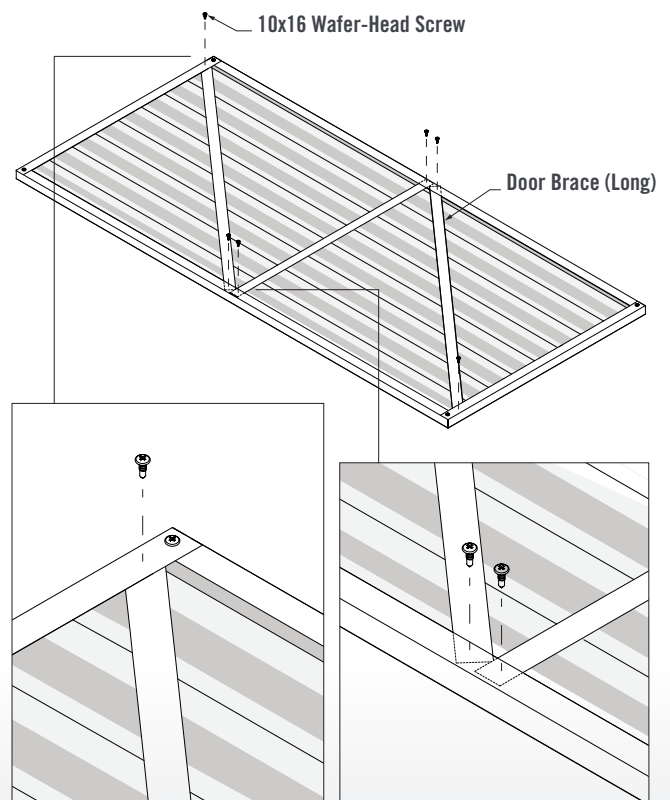


FIGURE 5.3

Drill two 3.5mm holes through each Door Brace and into the Door Sheet. Ensure holes are drilled into every third sheet pan.

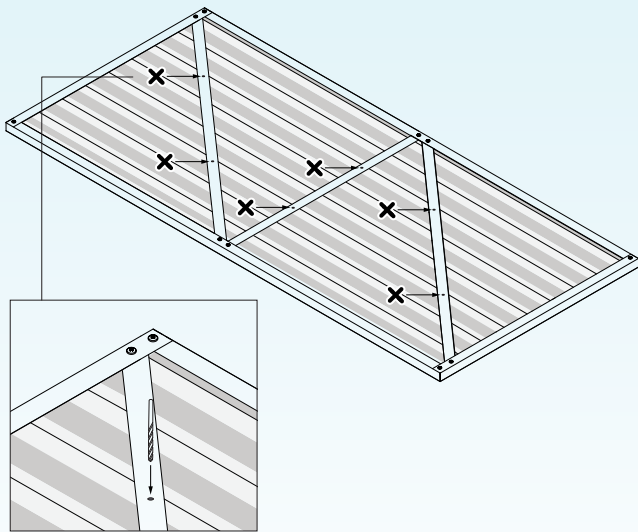


FIGURE 5.4

Turn the Door over. Fasten the Door Sheet to the Door Braces with six 3.2mm rivets through the drilled holes.

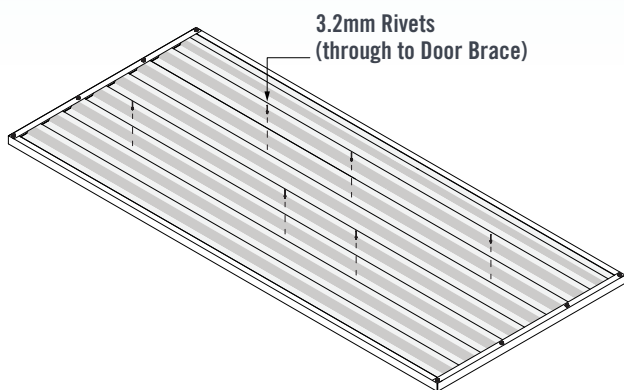


FIGURE 5.5

Confirm the position of the Door Sheet Lap. Place the Padbolt Mount Plate onto the Door Sheet Lap side, ensuring it is positioned underneath the middle point of the Door Frame. Drill four 3.5mm holes through the Mount Plate and Door Frame and into the Door Sheet. Rivet the Mount Plate with four 3.2mm Rivets.

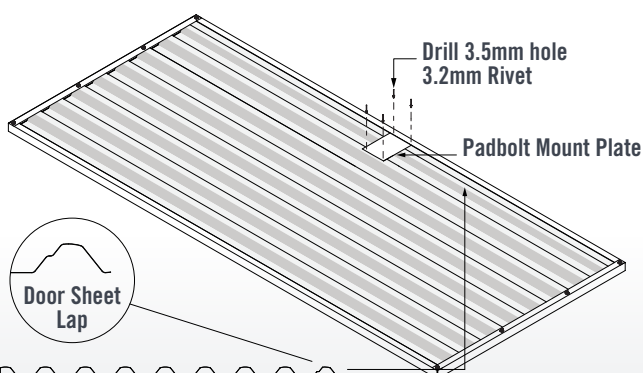


FIGURE 5.6

Stand the Door on it's side so that the Padbolt Mount Plate is located against the ground. Position one Hinge onto the upwards facing side of the Door.

Ensure the edge of the Hinge is in-line with the edge of the Door. Using the Hinge holes as a guide, drill a 5mm hole through the Door Frame.

Re-confirm the Edge of the Hinge is in-line with the edge of the Door Frame and that the Hinge is oriented correctly. Install a 4.8mm Rivet. Drill and install two 4.8mm Rivets through remaining two Hinge holes.

Complete this process for the remaining hinge at the opposite end of the Door.

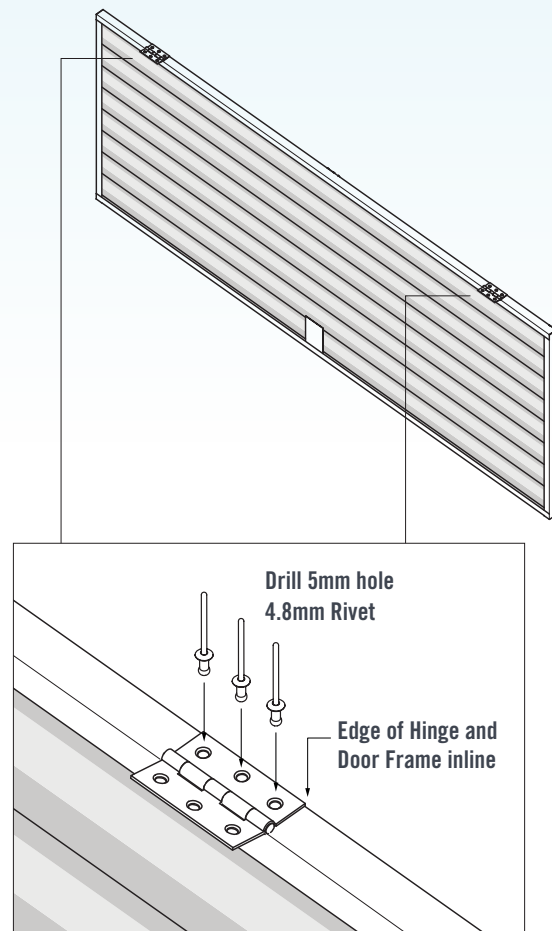


FIGURE 5.7

DOOR FITMENT

Note: the door can open from the middle or end of the shed depending on preference. If installing the Door to open from the opposite side, fit the hinges and padbolt on the opposite side Door Jamb to that shown.

Hang the door in place, ensuring a 5mm gap between the bottom of the Door and the Door Shroud. Mark a line onto the Door Jamb at the locations of the two Door Hinges and Door Mount Bracket.

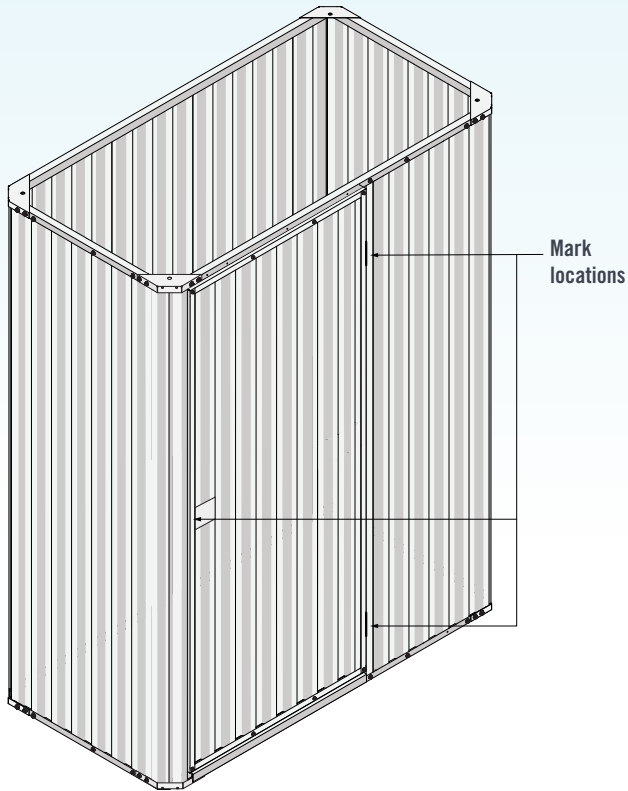


FIGURE 6.0

Using the marks from the previous step as a guide, position a Door Jamb Bracket in place. The Door Jamb can be rotated to fit the Door Jamb Bracket inbetween the Wall Sheet and Door Jamb. Drill two 3.5mm holes through the Wall Sheet and into the Door Jamb Bracket. Fasten two 3.2mm Rivets through the Wall Sheet and into the Door Jamb Bracket. Install the remaining two Door Jamb Brackets in the same manner.

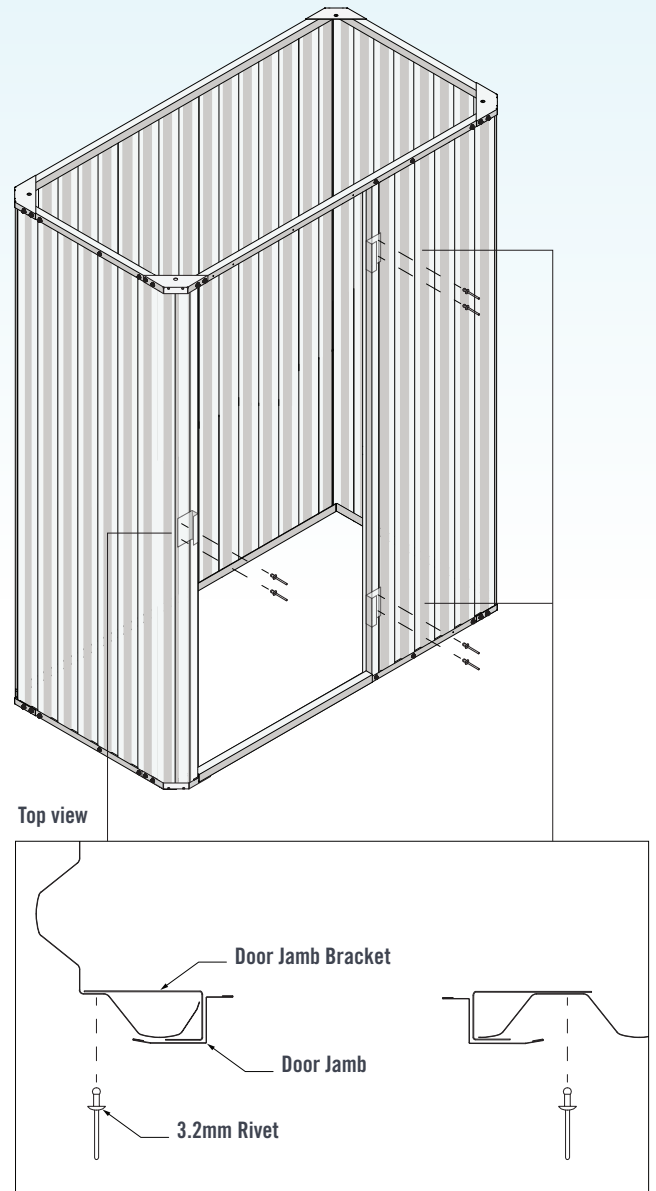


FIGURE 6.1

Hang the door in place, ensuring a 5mm gap between the bottom of the Door and the Door Shroud. Using the Hinge holes as a guide, drill one 5mm hole into the Door Jamb and install a 4.8mm Rivet for both Hinges.

Close the Door to confirm the correct Door fitment. If the gap between the Door and Door Shroud/ top Wall Channel is not straight, this can be corrected.

If the Door is not straight, remove the 10x16 Hex-Head Screw from the top of the Door Jamb. The Door can then be aligned to the correct position and the 10x16 Hex-Head Screw reinstalled.

Drill 5mm holes through the remaining four Hinge holes and into the Door Jamb. Install four 4.8mm Rivets.

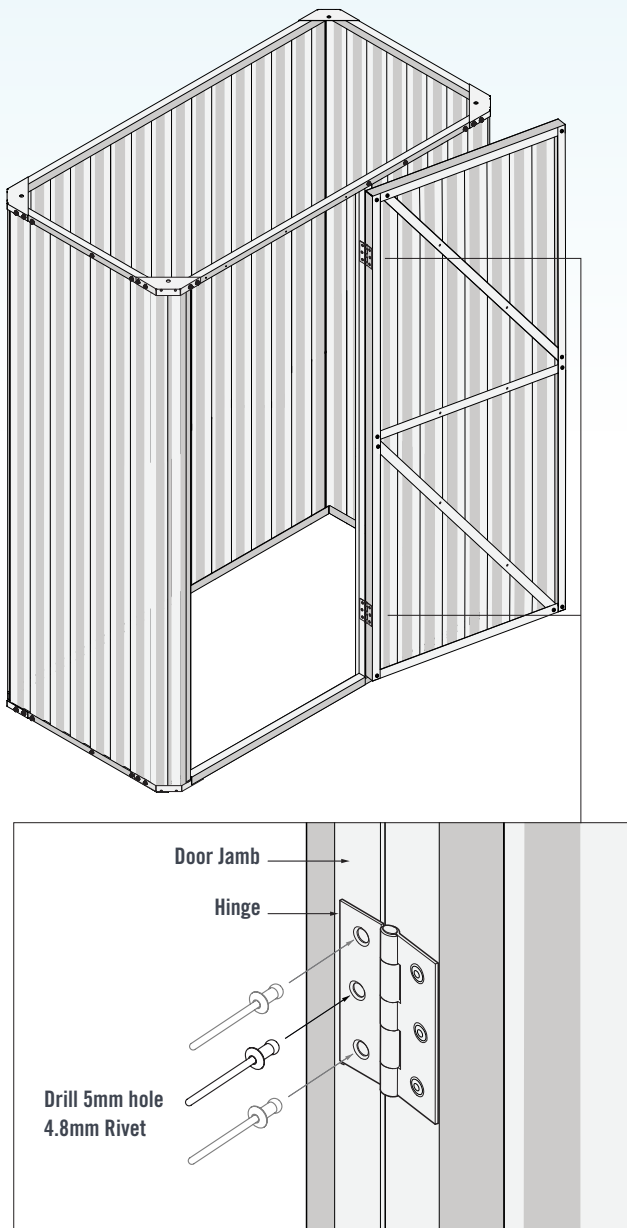


FIGURE 6.2

Position the left Door Jamb to achieve a 5mm gap between the Door Jamb and Door Frame. Fasten a 10x16 Hex-Head Screw through the Corner Bracket and into the Door Jamb at both ends.

Fasten three 10x16 Hex-Head Screws through the Door Shroud and into the Wall Channel.

A 3.2mm Rivet should be installed at the middle point of all Sheet laps. Sheet laps are located at three corners and the centre of the rear wall.

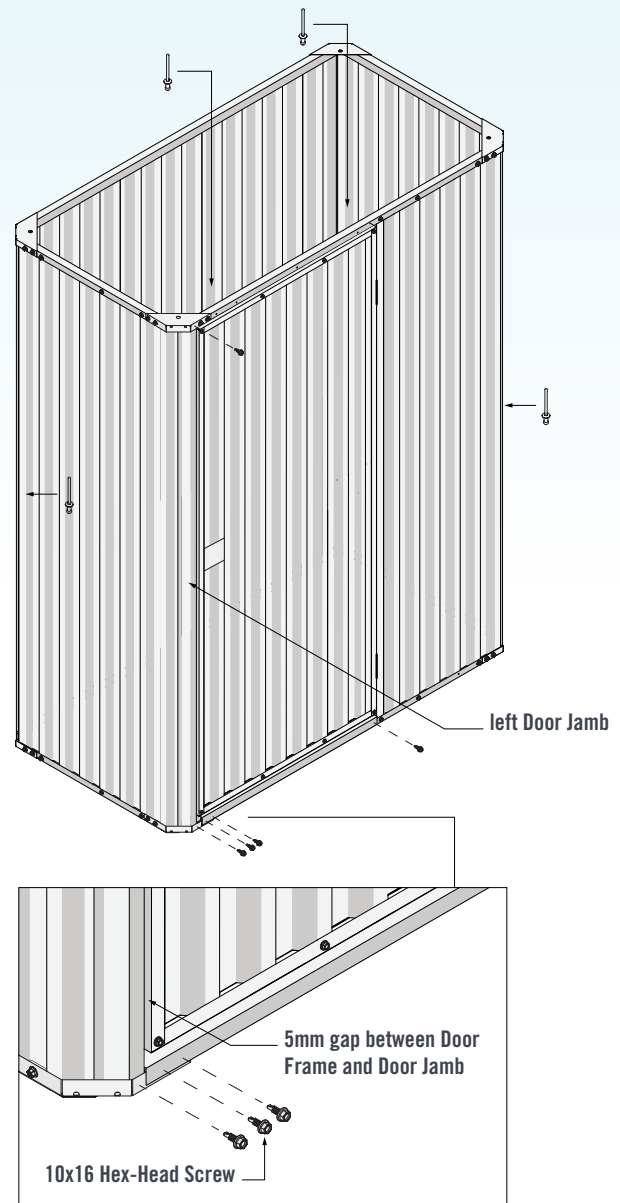


FIGURE 6.3

HANDI-SAVER INSTALLATION GUIDE

Install the Padbolt to the Mount Plate using four 10x16 Wafer-Head Screws. Ensure the Padbolt body sits flush to the Door edge. Fasten the Padbolt Latch to the Door Jamb using two 10x16 Wafer-Head Screws.

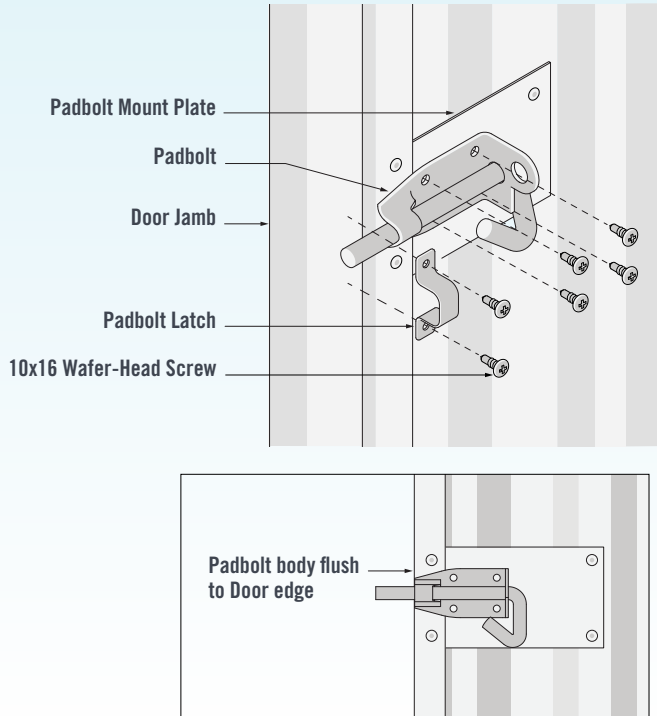


FIGURE 6.4

ROOF ASSEMBLY

Lay the roof sheet atop the wall channels, with the Sheet crests facing upwards. Ensure the Sheet ends overhang the Short Walls evenly. Fix the Roof Sheet to the Short Wall Channels using 10x16 Hex-Head Screws With Washers through every second pan of the Roof Sheet.

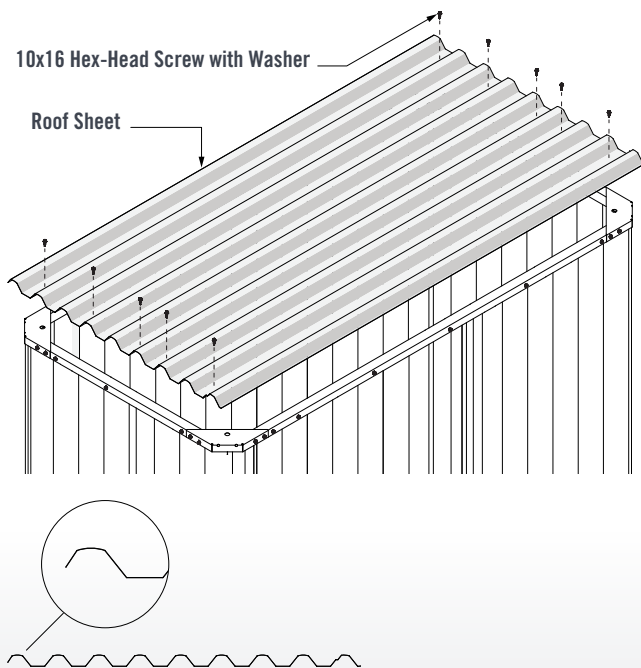


FIGURE 7.0

Fit a Flashing (Left & Right) and a Flashing (Front & Rear) onto the Roof Sheet. Drill a 3.5mm hole and fasten a 3.2mm Rivet through the Flashings.

Fit the remaining Flashings and fasten Rivets in the remaining three corners.

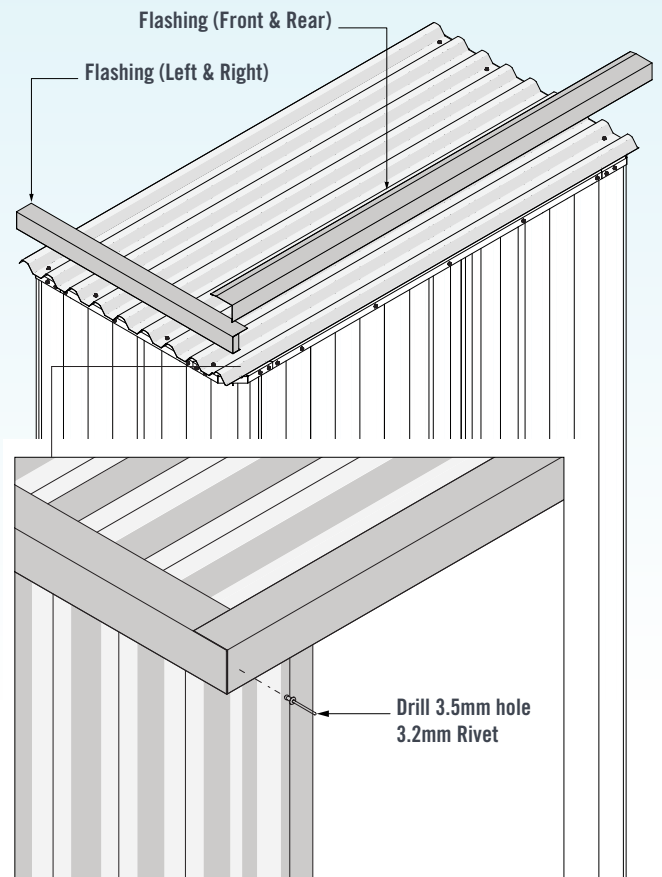


FIGURE 7.1

Fasten 10x16 Hex-Head Screws with Washers through the Flashings and into the Roof Sheet. Ensure five Screws are fastened through each Flashing.

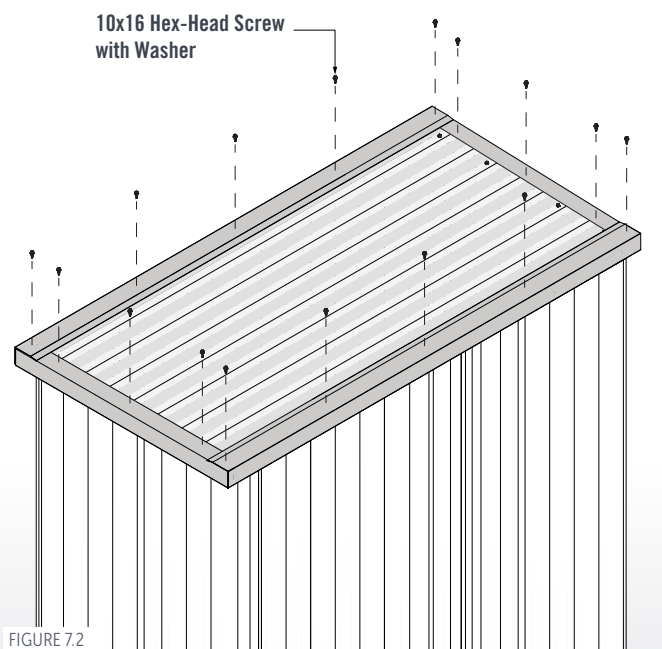


FIGURE 7.2



SECURING THE SHED

The installer is responsible for ensuring the concrete slab or pads are sufficient to support the shed and sustain wind loading. Do not anchor the Handi-Saver shed to pavers.

Check the walls are square. The diagonal measurements from corner to corner will be equal lengths when the walls are square.

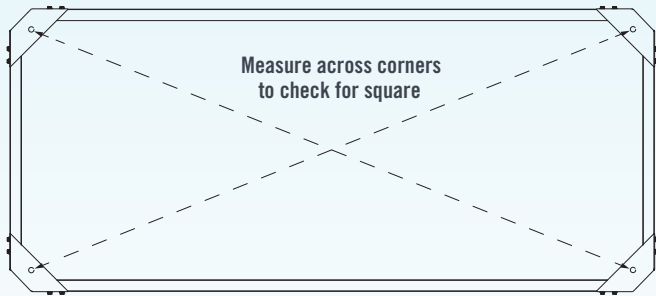


FIGURE 8.0

Secure the shed to the concrete base using an M8 Masonry Anchor in all four Corner Brackets.

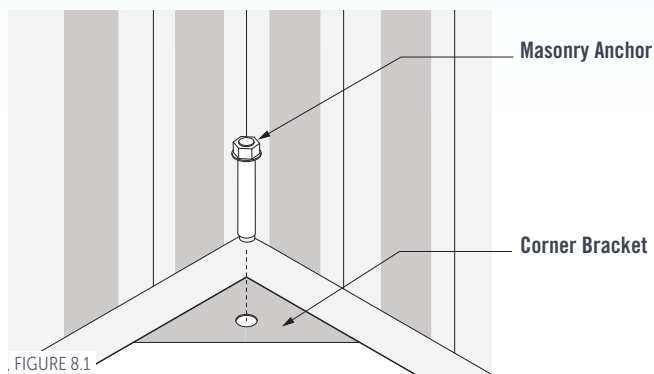


FIGURE 8.1

Your Handi-Saver shed is now complete. Maintain your Handi-Saver Shed by rinsing with water and removing any dirt build up.

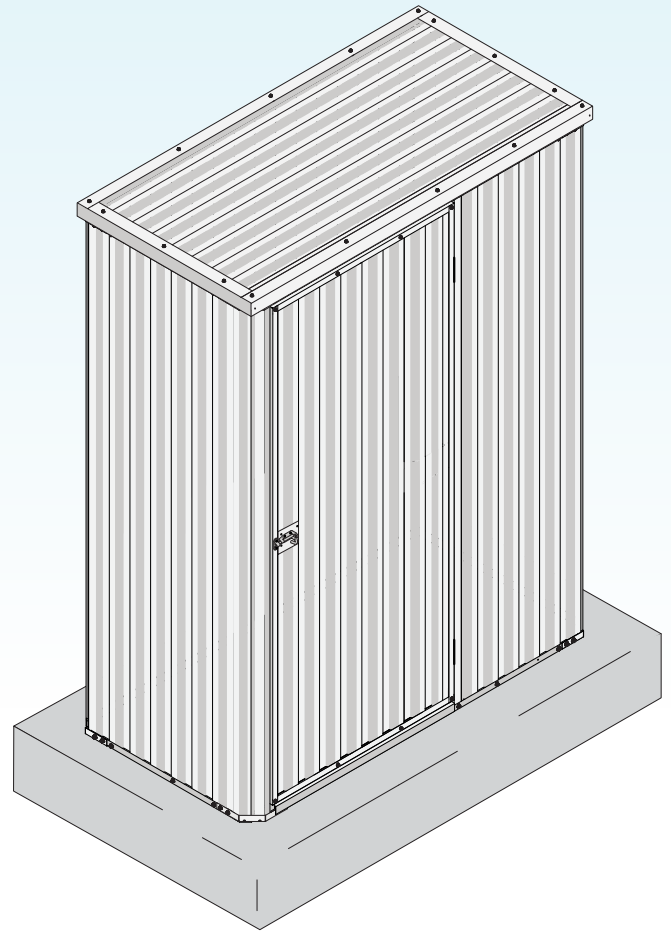


FIGURE 8.2



« SCAN THIS QR CODE TO FIND A STRATCO NEAR YOU

1300 155 155
stratco.com.au

All brands and logos/images accompanied by © or ™ are trade marks of Stratco (Australia) Pty Limited. © Copyright May 2023

How To.

