

THANK YOU FOR PURCHASING YOUR HEAVY DUTY WORKBENCH.

Please carefully read and follow these instructions to assemble your workbench.

ENSURE PROTECTIVE EYEWEAR AND GLOVES ARE WORN WHEN ASSEMBLING THIS UNIT.

Safety Instructions

IMPORTANT: BEFORE USING OR ASSEMBLING THIS PRODUCT READ THESE INSTRUCTIONS WITH CARE.

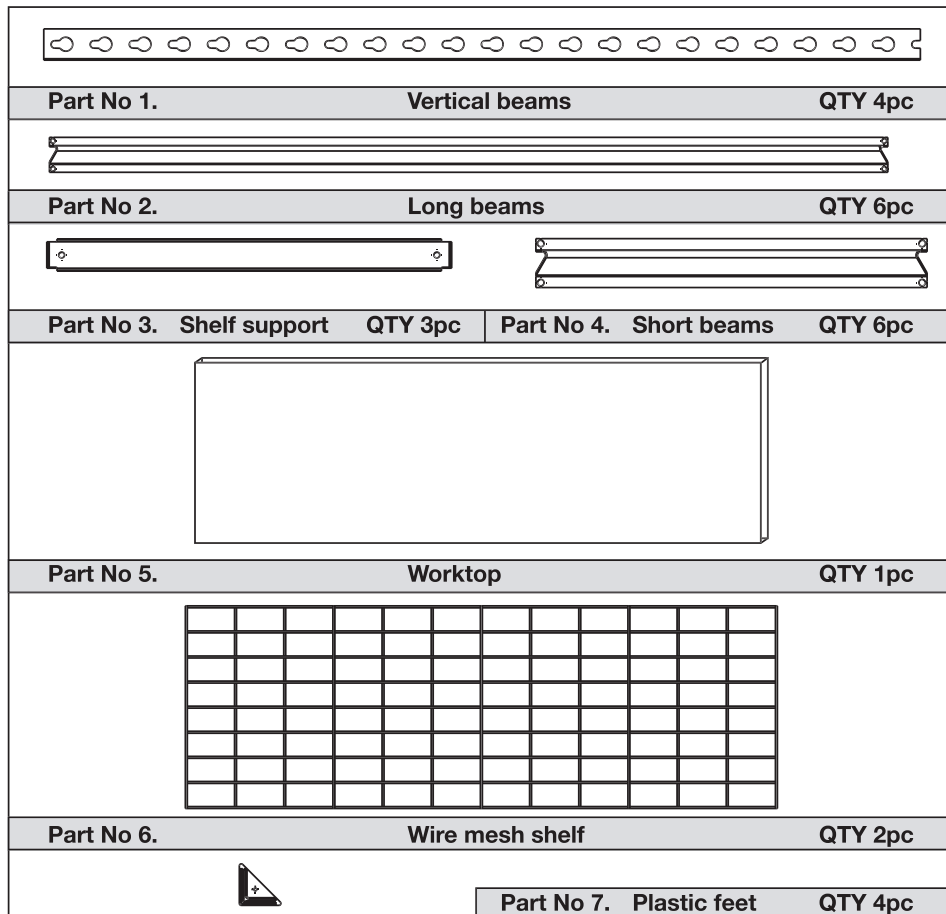
Failure to abide by these instruction and safety rules may cause poor product performance and/or failure of the product.

1. Workbench must be assembled & used on a level surface.
2. Evenly distribute the weight of load on each level, place the heaviest items on the bottom shelf. **DO NOT OVERLOAD.**
3. **DO NOT STAND ON OR USE THE UNIT AS A LADDER.**
4. Should there ever be a need to change the level of the shelf, be sure to disassemble and reassemble one beam and level at a time.
5. Use mallet to secure the connections. Hit the beam close to the connection.
6. Due to the size of this workbench, 2 people must assemble.

Components

ITEM	DESCRIPTION	QTY
1	VERTICAL BEAMS	4
2	LONG BEAMS	6
3	SHELF SUPPORT	3
4	SHORT BEAMS	6

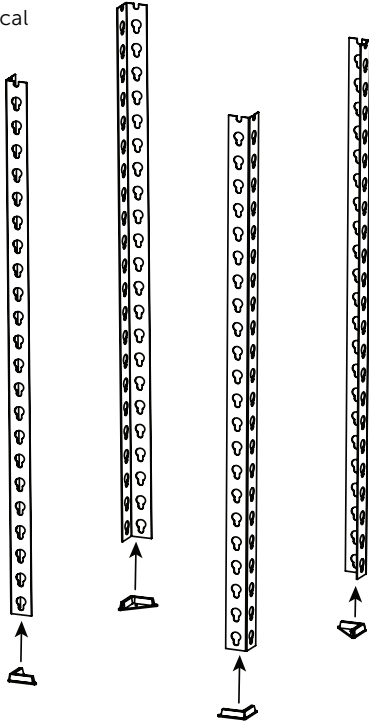
ITEM	DESCRIPTION	QTY
5	WORKTOP	1
6	WIRE MESH SHELF	2
7	PLASTIC FEET	4



Step 1

TOOLS REQUIRED: Rubber Mallet, Flat Head Screwdriver
Two person assembly recommended.

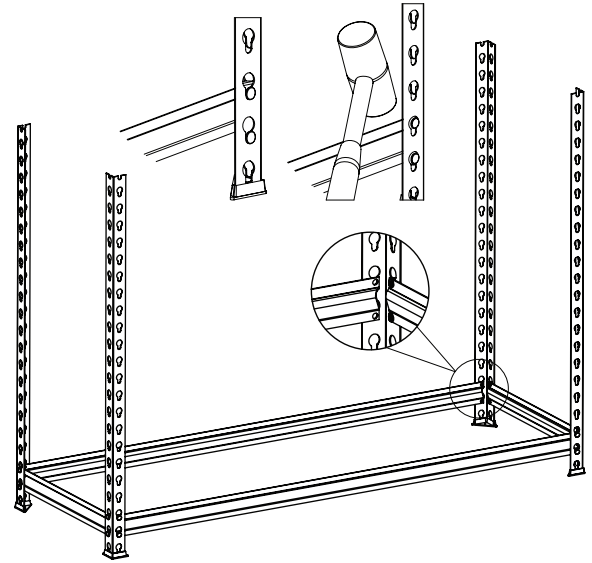
Add the feet (7) to the base of four vertical beams (1).



Step 2

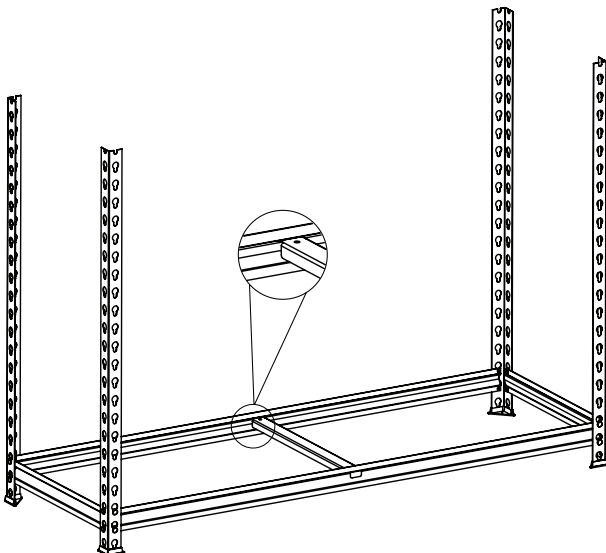
Connect one short beam (4) to the bottom of two vertical beams (1) leaving on keyhole slot at the bottom. Connect one long beam (2) to the vertical beam (1) in-line with the short beam (4) which was previously assembled. Ensure both rivets of the beams are inserted in two positions of the vertical beams. (Keyhole position 2 and 3)

Use a rubber mallet to secure the connections. Repeat for the two remaining sides.



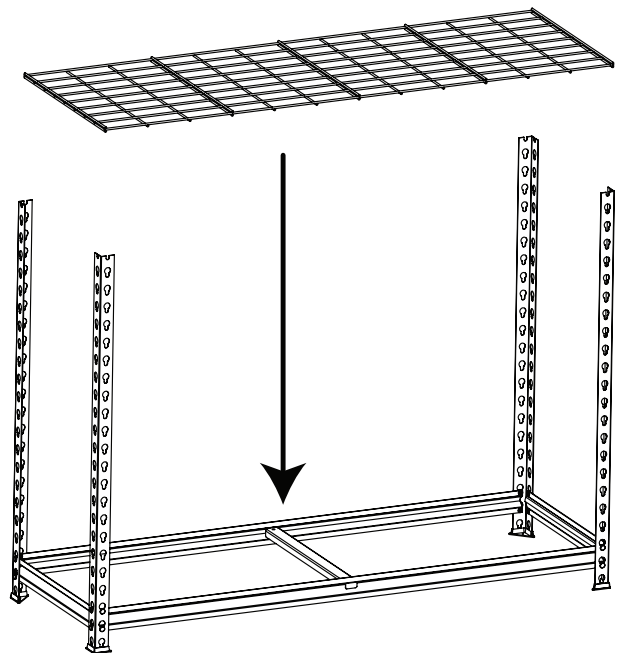
Step 3

Add the shelf support (3). Ensure the rivets are fixed as per image. Using a flat head screwdriver, insert it into the slot and gently increase the opening width to allow for the tooth to enter. Hint: Bending the tooth inward will further secure the support in place.



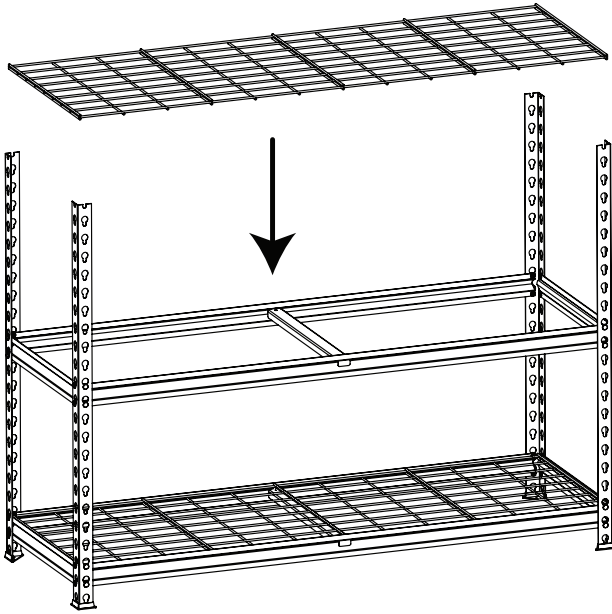
Step 4

Install one wire mesh shelf (6) on top of the assembled beams.



Step 5

For the second level, repeat steps 2,3 and 4 at desired height.

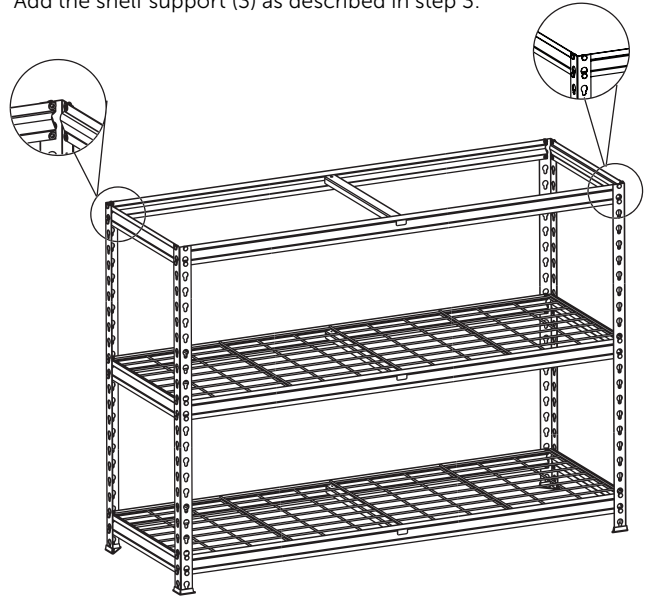


Step 6

Connect one short beam (4) to the top of two vertical beams (1) at the top keyhole slot. Connect one long beam (2) to the vertical beam (1) in-line with the short beam (4) which was previously assembled.

Use a rubber mallet to secure the connections. Repeat for the two remaining sides.

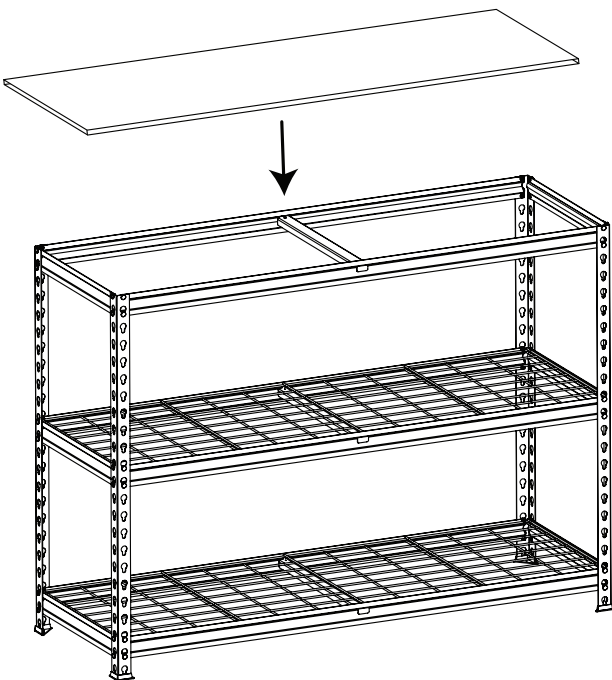
Add the shelf support (3) as described in step 3.



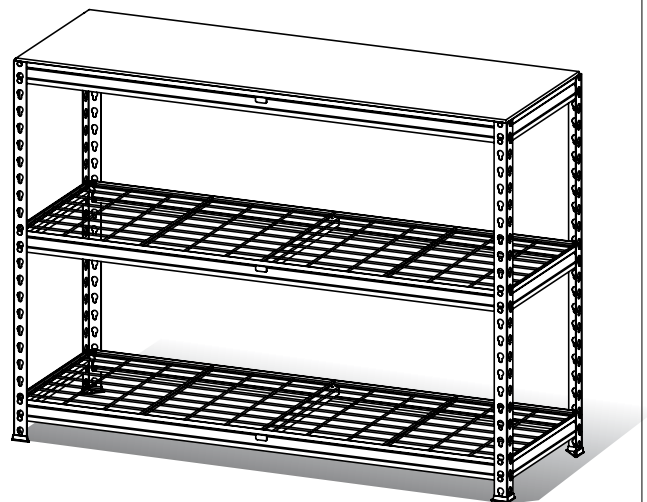
Step 7

Place the worktop (5) as shown on the workbench.

NOTE: It is strongly recommended to fix the unit to a wall. Please refer to the 'Wall Mounting & Fixing Guide' on Page 4 for more details.



**YOUR HEAVY DUTY WORKBENCH IS NOW
COMPLETE AND READY TO ENJOY!**



Wall Mounting & Fixing Guide

IMPORTANT: It is strongly recommended that you permanently anchor this product.

Toppling furniture can cause serious injuries or death. This is particularly important for young children. Anchoring is a vital strategy to prevent tip-overs.

- Be cautious of placing workbench on thick pile carpet as this can affect stability. Distribution of the weight stored on the workbench can affect stability, so it is recommended that you place heavier items as low down on the workbench as possible.
- If you are unsure about the correct wall anchor(s) needed for your wall, seek professional advice. Failure of the product due to incorrect fixings is the responsibility of the installer.
- **WARNING:** When fixing the product to the wall, ensure the area has been checked for electrical and plumbing work before drilling. If you are unsure about your wall material or correct fixing way, please seek professional advice about using the correct anchor(s) for your wall.
- **DO NOT** attempt to attach this product to a hollow plasterboard wall or decorative wall divider.

Checklist to help prevent tip-over:

- The product has been adequately anchored to the wall.
- Consult your local hardware stores for advice.
- No unanchored television are placed on the product.
- Regularly check that anchor(s) are securely maintained.

IMPORTANT: WHEN DRILLING INTO WALLS, ALWAYS CHECK FOR HIDDEN WIRES OR PIPES, etc.

Tips & Tricks:

If you have any doubts about using the correct plug for your wall, please seek professional advice from a qualified tradesperson. Failure of the product due to using incorrect fixings is the responsibility of the installer. Make sure that the hardware used is suitable for supporting your unit. If you are unsure, please select a larger screw and wall plug.

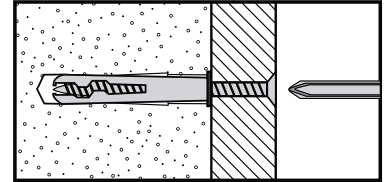
- If unsure, select a larger screw and drill bit.
- Ensure that you use the correct drill bit for the wall plug and hole size.
- Drill the hole horizontally. The depth of the hole should not be deeper than length of the wall plug.
- Ensure that the wall plug is securely fitted in the drill hole and sits flush against the wall. Take extra care when drilling into tiles and high walls to avoid any cracking or splitting. Ensure that you use the recommended drill bit to match the wall plug and hole size. Take extra care when drilling high walls, ceiling and ceramic tiles. Drill the hole horizontally. Ensure wall plugs are inserted beyond the thickness of the ceramic tiles to avoid splitting or cracking.
- Ensure that wall plugs are well fitted and are a tight fit in the drilled hole.

TYPES OF WALLS

Walls are constructed from different materials. It is important that you use the appropriate wall fixings for your wall type. Use one of the following types of wall plug (not included) if your walls are made of brick, breeze block, concrete, stone, plaster or wood. Wood screws may be able to be fixed directly to solid wood walls as they will provide a secure anchor point.

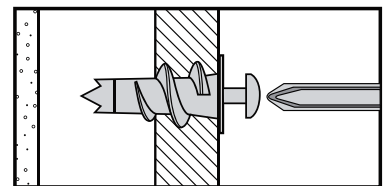
1. GENERAL PURPOSE WALL PLUG

Generally, aerated blocks should not be used to support heavy loads, use a specialist fitting in this case. For light loads, general purpose wall plugs can be used.



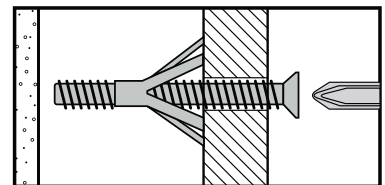
2. PLASTERBOARD WALL PLUG

For use when attaching light loads onto plasterboard partitions.



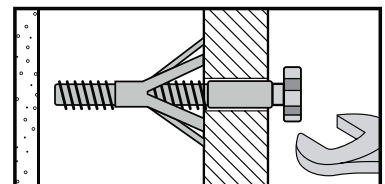
3. CAVITY FIXING WALL PLUG

For use with plasterboard partitions or hollow wooden doors.



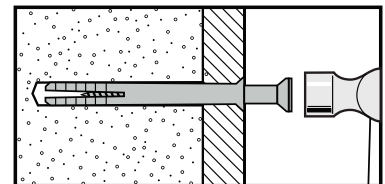
4. CAVITY FIXING HEAVY DUTY WALL PLUG

For use when fitting or supporting heavy loads such as shelving and wall cabinets.



5. HAMMER FIXING WALL PLUG

For use with concrete block or brick walls, or walls stuck with plasterboard. The hammer fixing allows it to be fixed to the wall rather than the plasterboard. Always check the fixing is secure to the retaining wall.



6. SHIELD ANCHOR WALL PLUG HEAVY LOADS

For use with concrete or brick walls, or for use with heavier loads such as TV & HiFi speakers and satellite dishes, etc. Refer to User Manual for clarification.

