

Please carefully read and follow these instructions to assemble your cabinet.

**ENSURE PROTECTIVE EYEWEAR AND GLOVES ARE WORN WHEN ASSEMBLING THIS UNIT.**

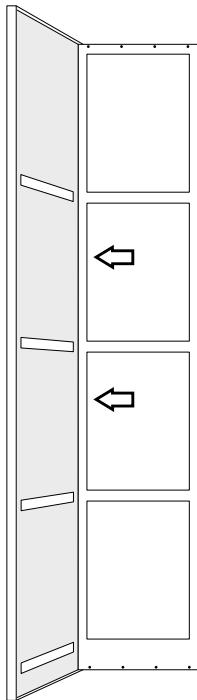
**WARNING: SERIOUS INJURY CAN BE CAUSED BY TOPPLING FURNITURE.** To help prevent tip-over, we recommend you anchor this product to a wall or other suitable surface. Check anchors regularly.

## Step 1

### FITTING SIDE PANELS TO BACK PANEL

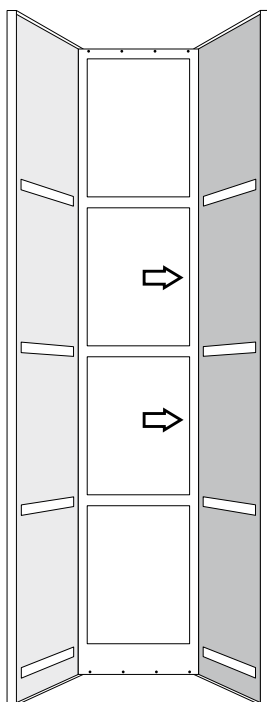
A

Screw together back panel and left hand side panel at locations indicated by the arrows.



B

Screw together back panel and right hand side panel at locations indicated by the arrows.



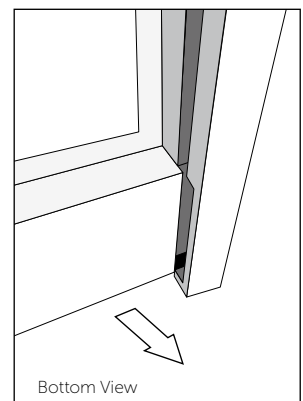
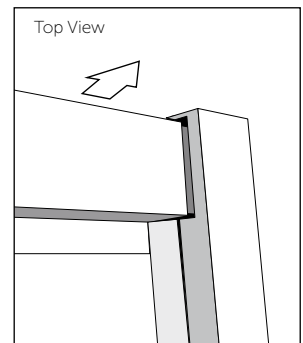
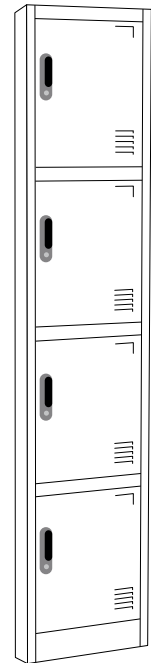
## Step 2

### FITTING FRONT DOOR PANEL TO SIDE PANELS

C

Slot front door panel into one side then into the other.

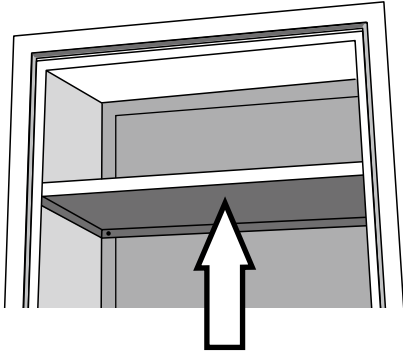
Note: Ensure the front door panel is flush with the side panels. This is easier to do with the doors open.



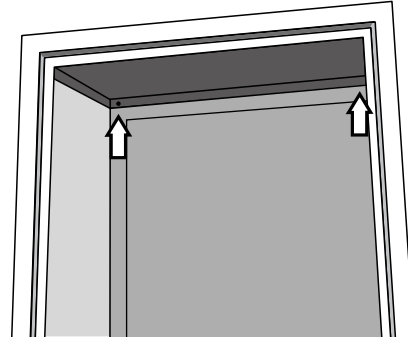
## Step 3

### FITTING THE TOP PANEL

**D** Slide the top panel inside the cabinet and push up until flush with the top of panels.



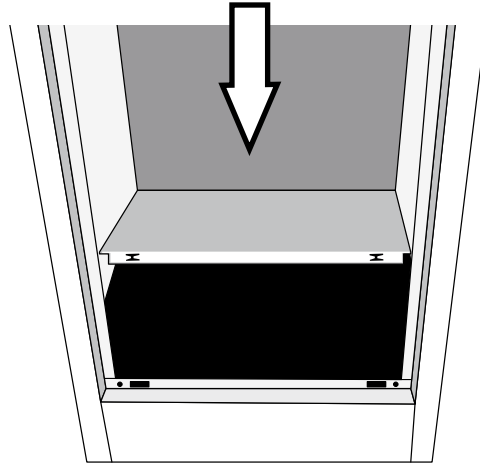
**E** Screw the top panel to the inside of the cabinet as indicated by the arrows.



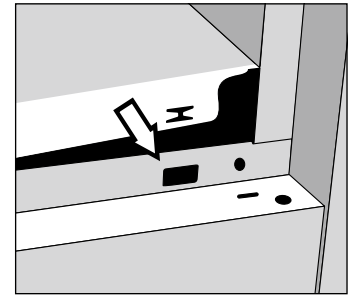
## Step 4

### FITTING THE BOTTOM PANEL TO THE CABINET

**F** Push the floor panel down inside the cabinet ensuring the sides of the floor slide into the slots on the side and back panels.



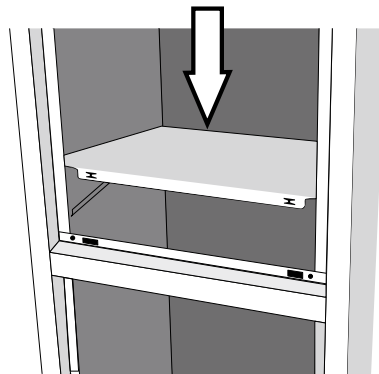
**G** Ensure that the tab on the bottom panel fits over the lip on the front panel and clips into place.



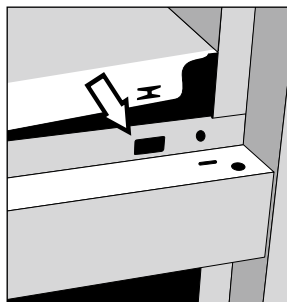
## Step 5

### FITTING THE UPPER LOCKER BASE PANELS x3

**H** Insert the locker base panels from the inside of the cabinet.



**I** Ensure that the tab on the locker base panel fits over the lip on the front panel and clips into place.



Finished size:  
1850 x 380 x 450mm

