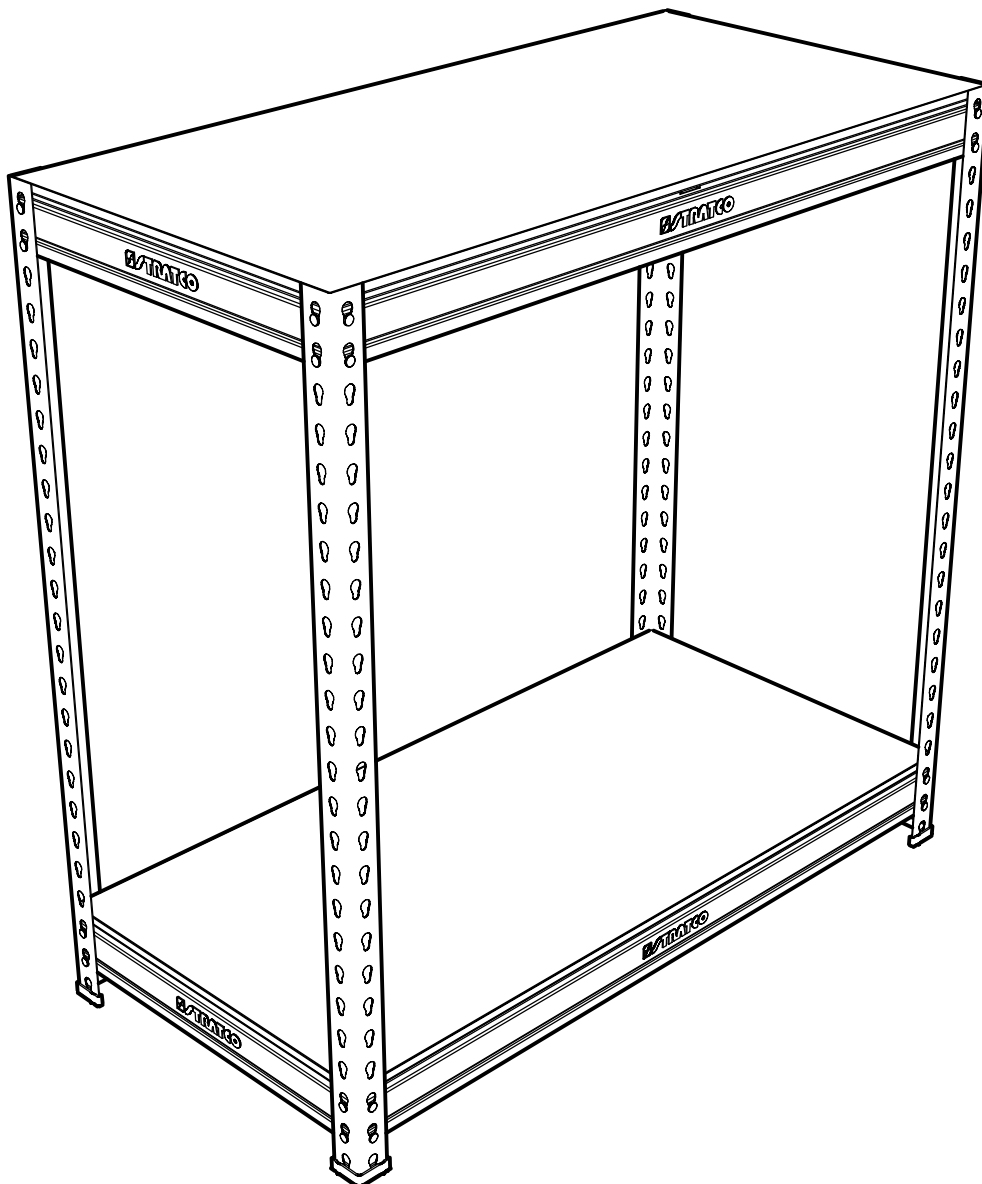
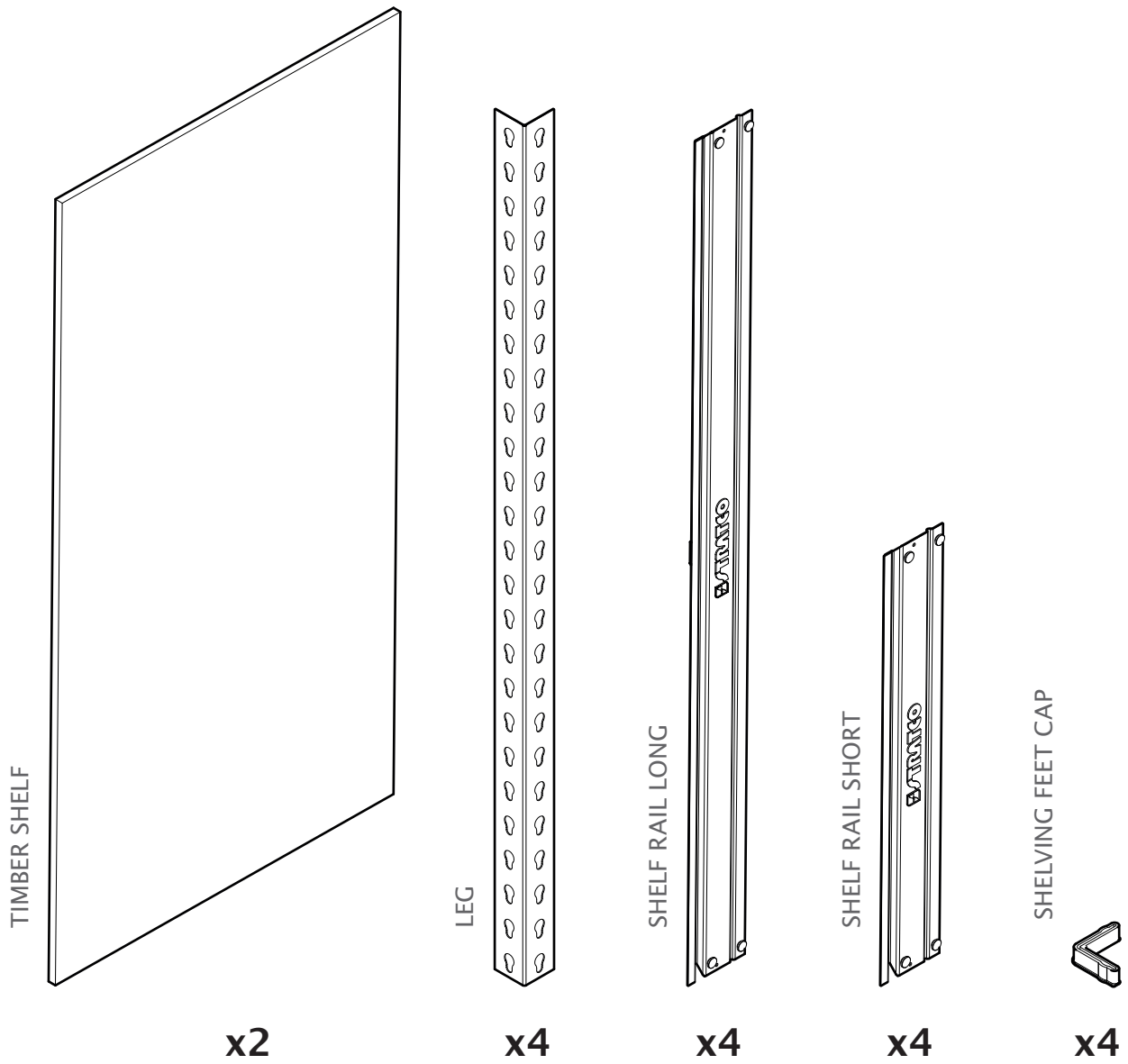


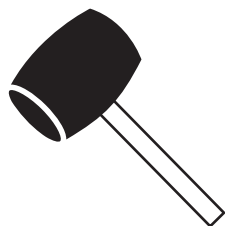
Rivet Lock Shelving Kit



COMPONENTS

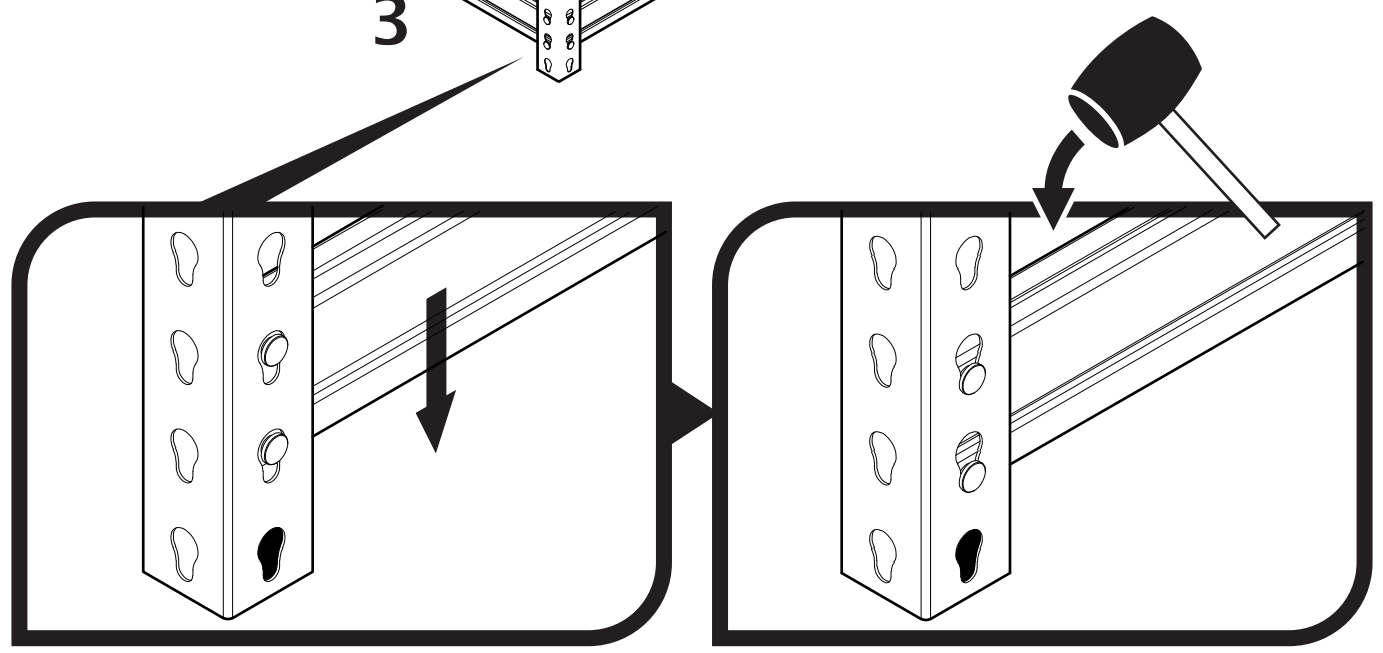
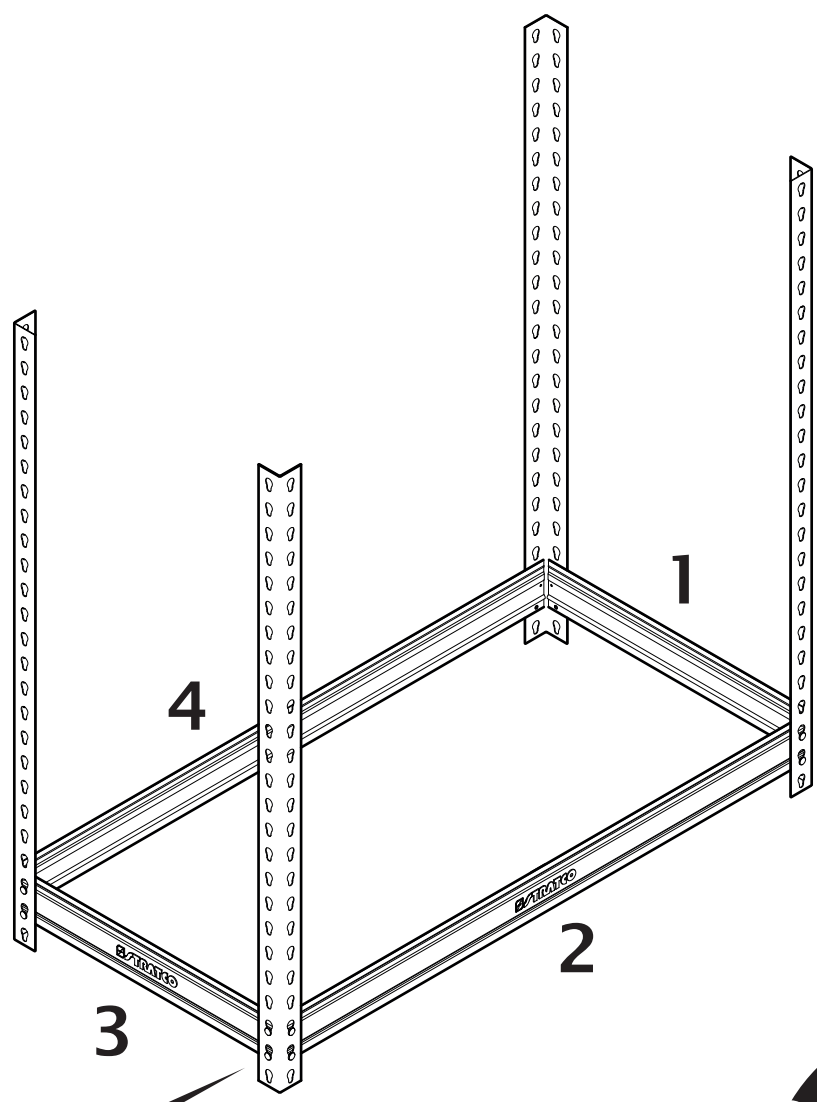


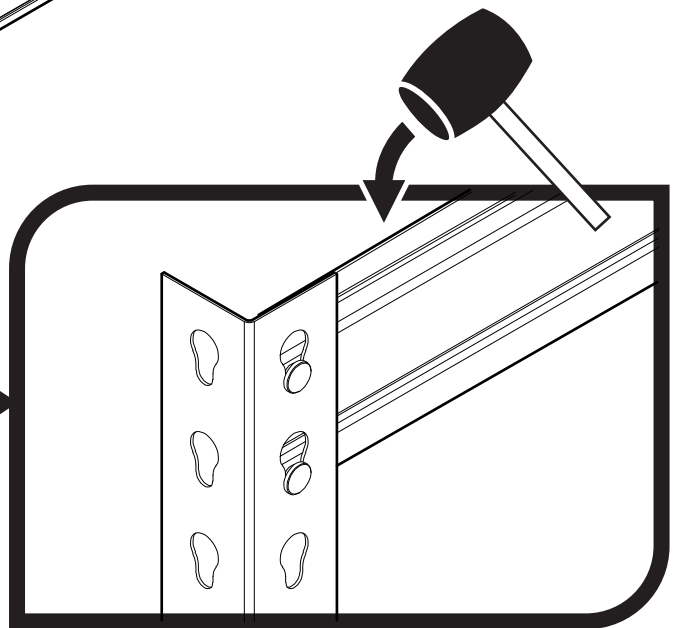
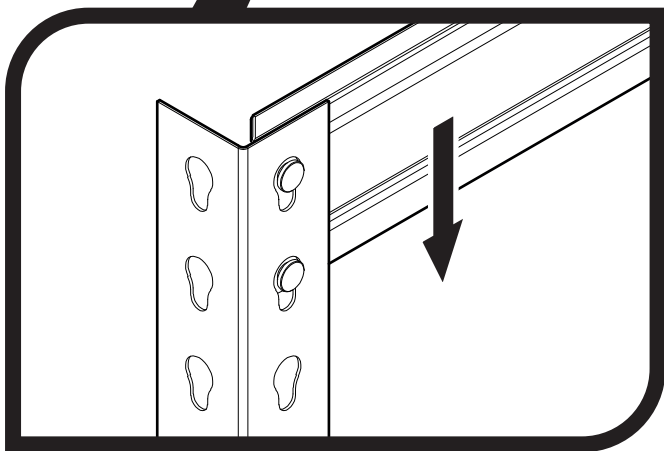
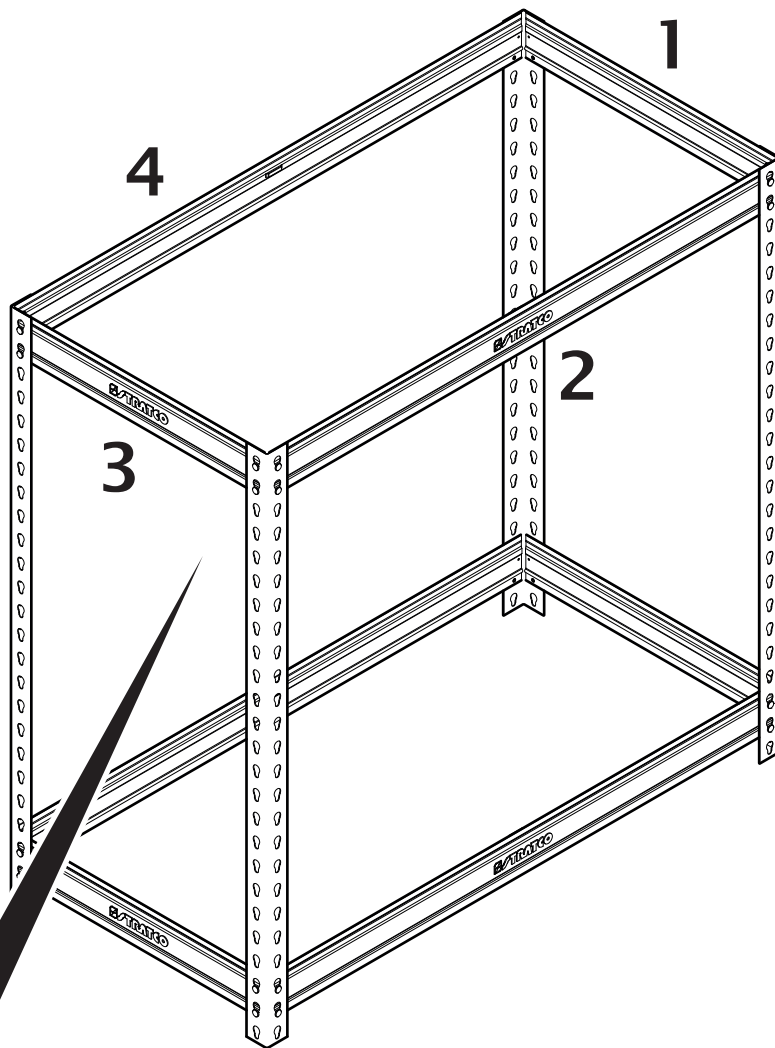
TOOL REQUIRED

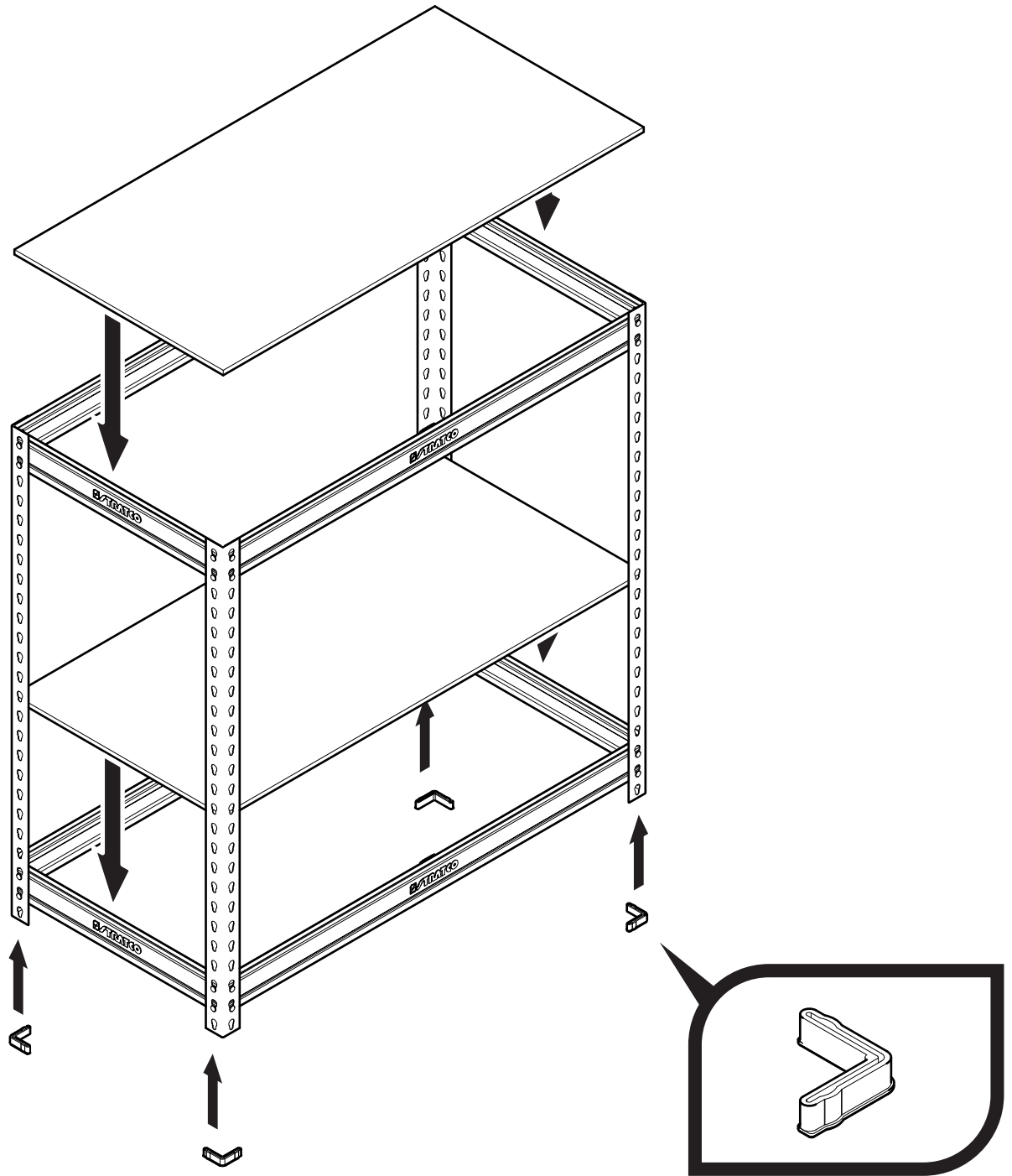


1x RUBBER MALLET

ASSEMBLY

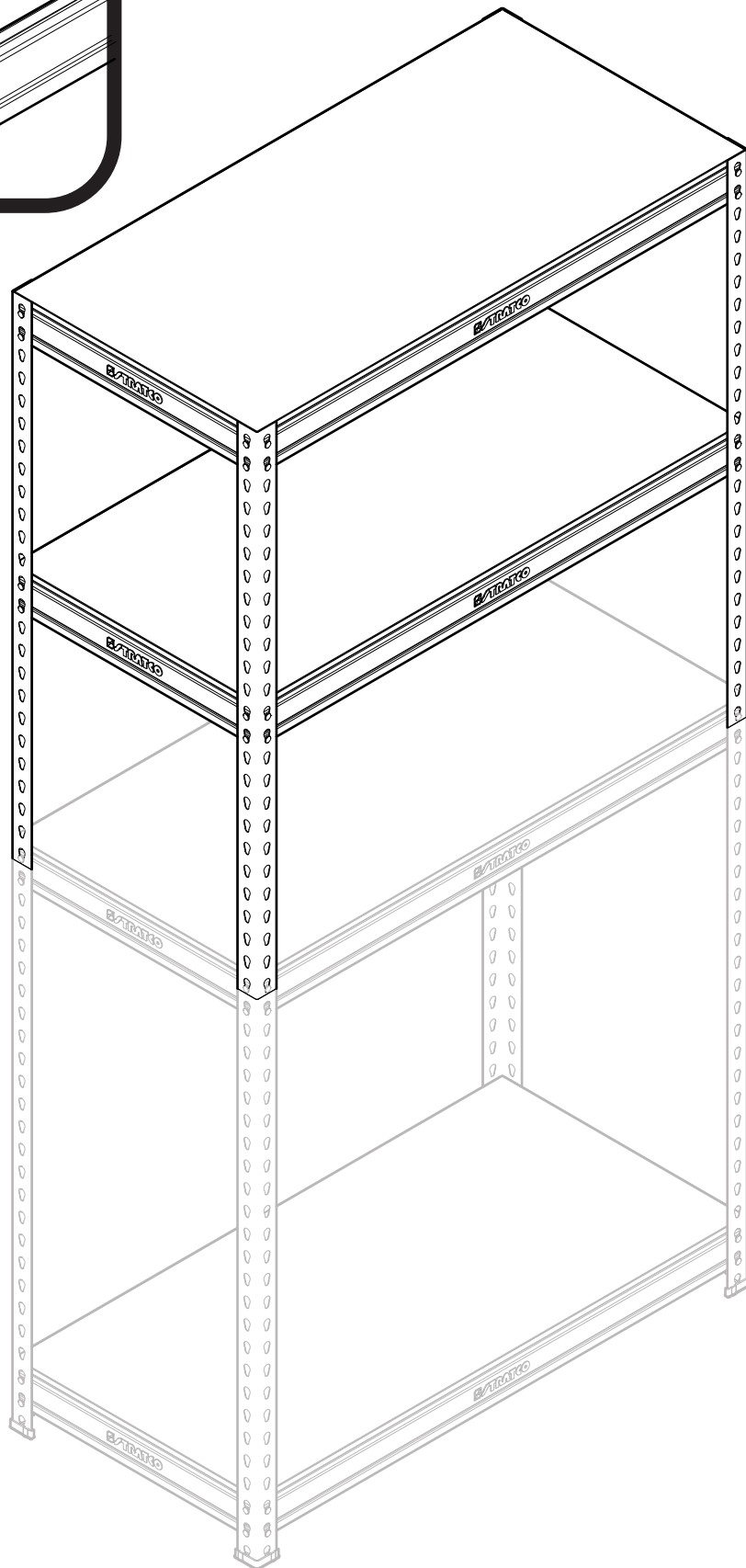
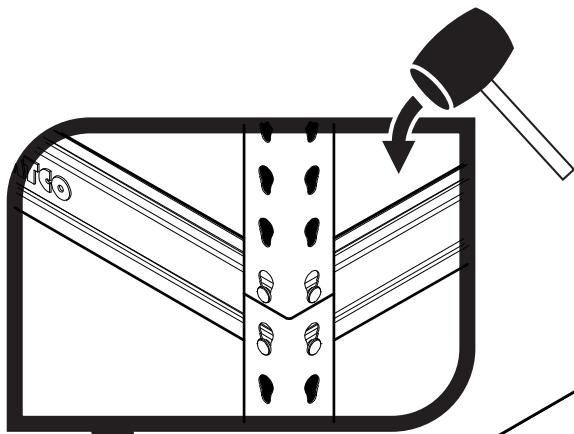






ADD-ONS

TWO KIT ASSEMBLY



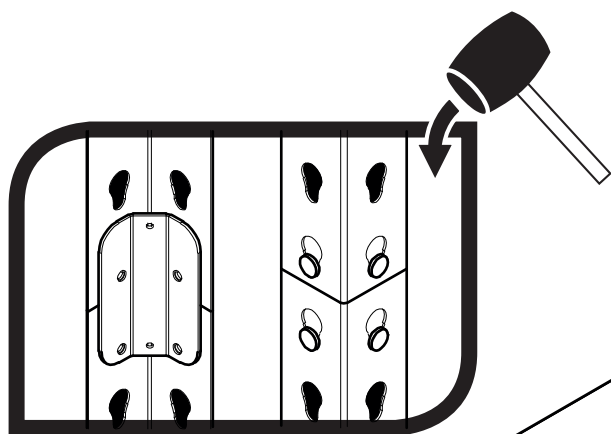
KIT

2

KIT

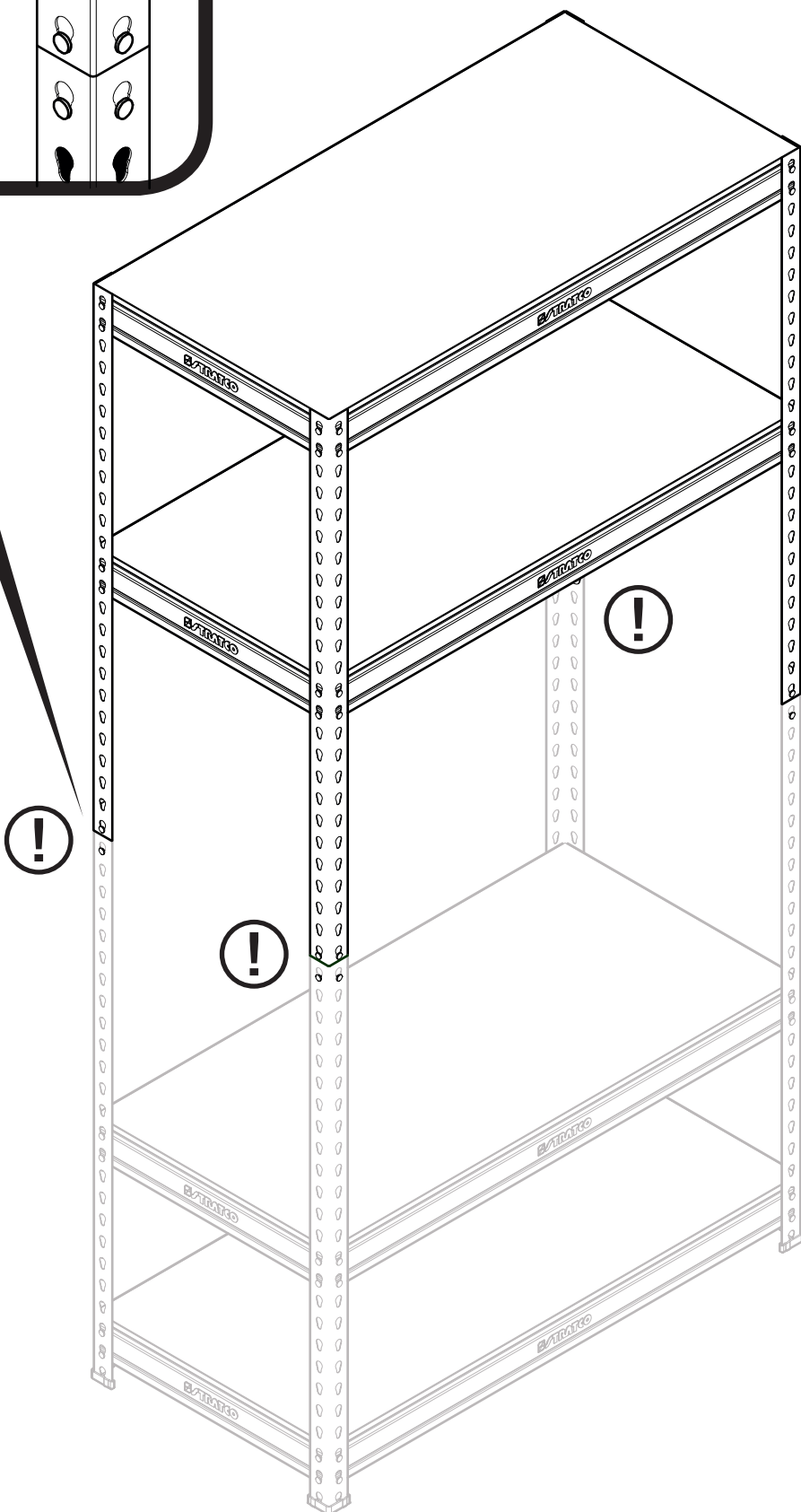
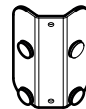
1

TWO KIT ASSEMBLY WITH LEG JOINERS



LEG JOINER

This part is sold separately at your local STRATCO store.



KIT 2



KIT 1



