

# How To.

ASSEMBLY GUIDE

# Heavy Duty Wire 4 Shelf Unit



SS-10475

Please carefully read and follow these instructions to assemble your unit.

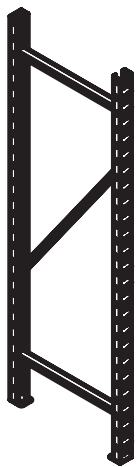
**ENSURE PROTECTIVE EYEWEAR AND GLOVES ARE WORN WHEN ASSEMBLING THIS UNIT.**

**WARNING: SERIOUS INJURY CAN BE CAUSED BY TOPPLING FURNITURE.** To help prevent tip-over, we recommend you anchor this product to a wall or other suitable surface. Check anchors regularly.

## Components

TOOLS REQUIRED: Rubber Mallet, Spanner or Adjustable Wrench, Gloves

(A) x 2



END FRAME

(B) x 8



BEAM

(C) x 12



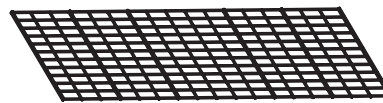
CROSS BAR

(D) x 16



LOCKING  
SHELF PIN

(E) x 4



WIRE SHELF

(F) x 24



BOLT, NUT &  
WASHER

(G) x 4



(H) x 4



(I) x 4



## General Instructions

Assembly of this unit is done by fitting the brackets of the beams into the slots of the post frames.

A rubber mallet should be used on the ledge of the beams to properly seat the beam brackets. If a hammer is used care should be taken to protect the beam surface to avoid damage by using a protective cloth or block of wood.

The stepped surface of the beam ledge is the top, and should face upwards. This is the surface that the wire deck will rest on.

A bracket should engage and fit firmly into the tapered slot of the post frame. This engagement is a tight swaged fit and will apply resistance as it fully engages. A visual inspection should be made to show that the bracket is properly engaged in the slot.

After assembly re-check each beam for proper engagement.

## Safety Instructions

This unit should be placed on a level surface.

Failure to do so can result in poor product performance or create a possible safety hazard.

This unit should be securely anchored to a wall or floor with suitable fasteners, which are not included.

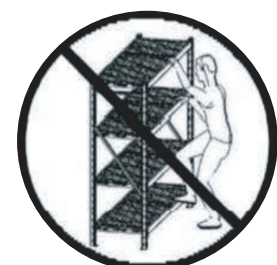
Do not use this unit for anything other than the manufacturer's intended purpose.

**DO NOT STAND ON ANY PART OF THE UNIT, OR USE IT AS A LADDER.**

Use care when working with metal parts.

Wear gloves for protection.

Evenly distribute the weight on each level and always keep the heavier loads on the bottom.



# How To.

ASSEMBLY GUIDE

# Heavy Duty Wire 4 Shelf Unit

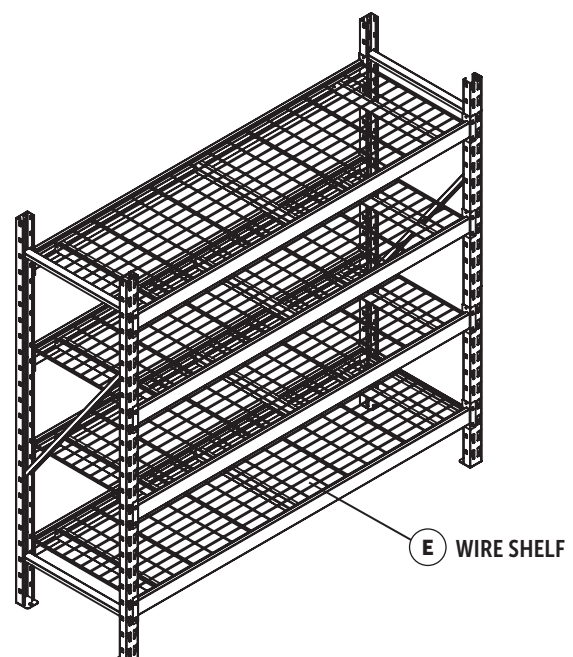
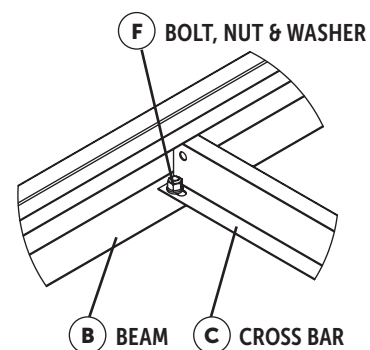
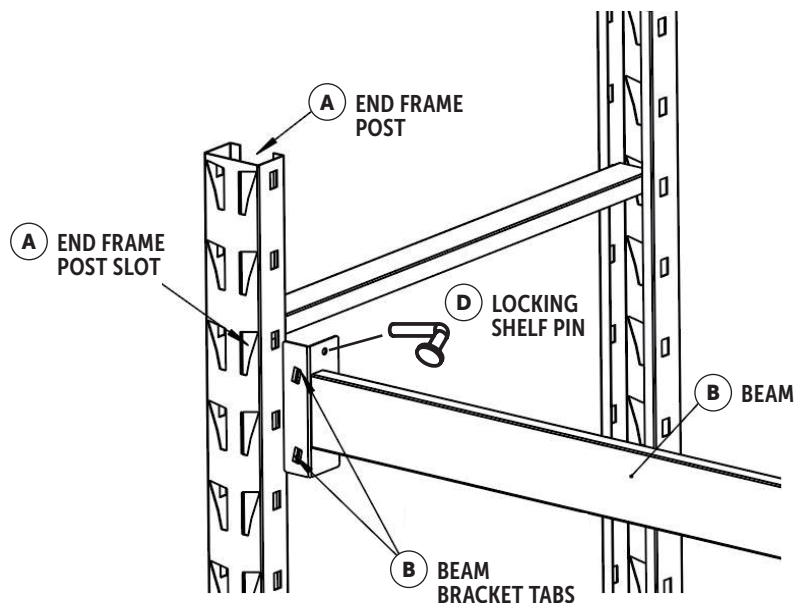


SS-10475

## Assembly Instructions

- 1 Attach the beams to the welded end frame posts starting at the bottom level by using both end frames to establish the left and the right sides of the units.
- 2 After a beam has been placed in both end frame post slots, tap the beam down at both ends with a rubber mallet to help drive the beam bracket tabs into the slots to secure the beam. Continue assembling each level from bottom to top level (front and back).
- 3 Insert locking shelf pin (D) in beams.
- 4 If the beam bracket tabs become bent due to mishandling, it may be necessary to adjust the tabs back to their proper form.
- 5 Install cross bar (C) in each level by inserting and tightening the bolt, nut and washer into the holes located along the inside bottom centre edge of the beams.
- 6 The completed unit should have four (4) levels evenly spaced for maximum stability.
- 7 Although the beams are adjustable in height, it's recommended to evenly space them so that the stability of the unit is not compromised.
- 8 Install cross bars in each level by inserting and tightening the bolts, nuts and washers into the holes located along the inside bottom centre edge of the beams.
- 9 Insert wire shelf on each level.

Assembly is now complete.



SHELF UNIT HOLDS  
320kg DISTRIBUTED LOAD

# How To.

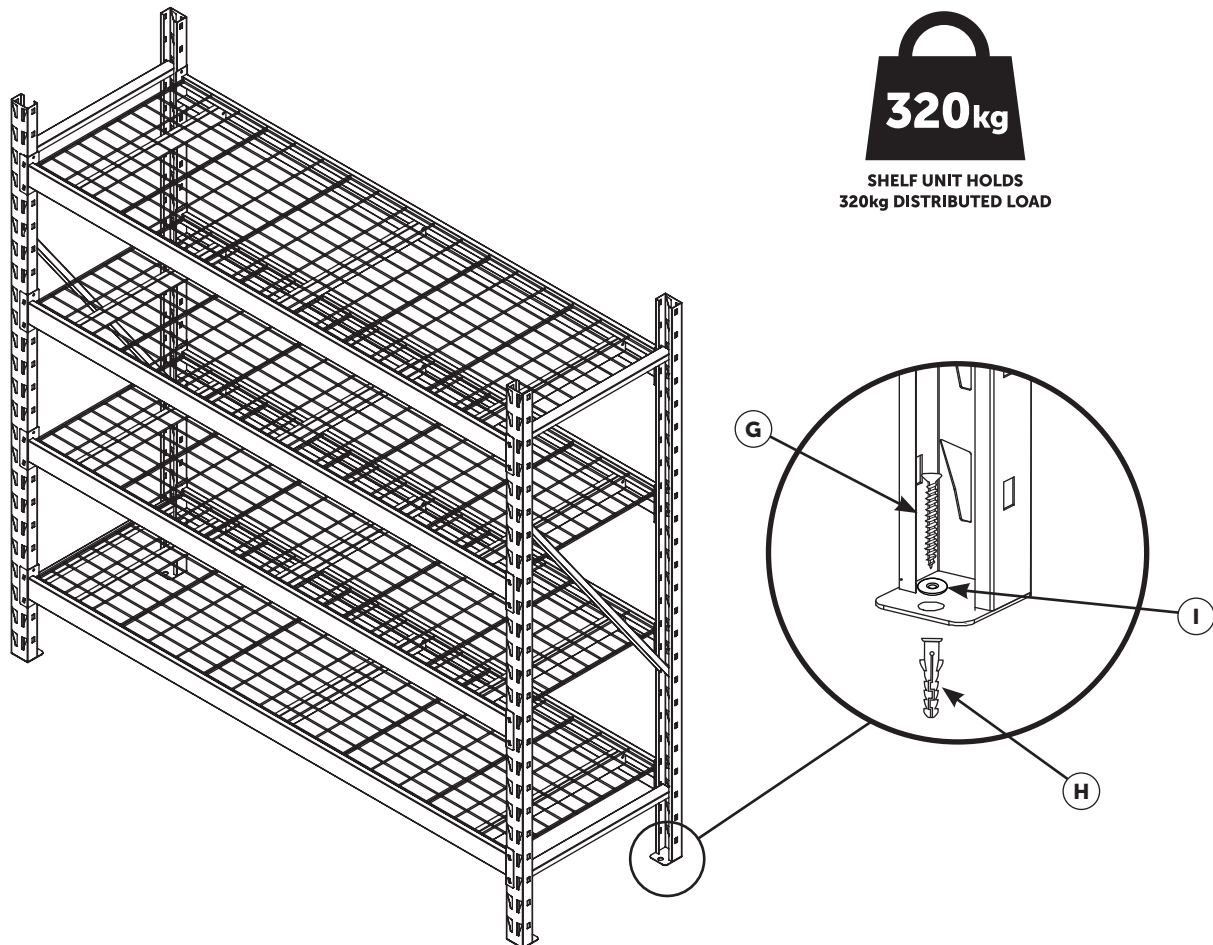
ASSEMBLY GUIDE

# Heavy Duty Wire 4 Shelf Unit



SS-10475

**WARNING: SERIOUS INJURY CAN BE CAUSED BY TOPPLING FURNITURE.** To help prevent tip-over, we recommend you anchor this product to a wall or other suitable surface. Check anchors regularly.



## Assembly Notes

- Wire 4 Shelf Unit is engineered to offer maximum flexibility as well as ease and quickness of assembly. The shelf units can stand individually, or for greater stability be joined together using the common post.
- Individual beams can be adjusted without disturbing the beams in adjoining units.
- These instructions should be followed exactly. All parts supplied must be used as shown. Any alteration or deviation from this instruction sheet can result in unit failure.
- After the unit is assembled, it must be placed on a level surface for safety, and optimal product performance.